

LESTRA-18V1™

Lestra-18V1 is a mid-bay fixture that achieves high lumen output levels. Lestra's diffused light is free from shadows and breaks. The fixture has an anodized finish providing excellent resistance to corrosion and wear. Lestra-18V1 can be oriented with light projected down for general lighting or up for indirect lighting.

Suitable for dry or damp locations.



SPECIFICATIONS

PERFORMANCE

Model	LST-18V1-D-5K	LST-18V1-D-4K
Light Pattern	Diffused	
CCT	5000K	4000K
Lumens	8,717	7,923
Watts	83.9	85.6
LPW	103.9	92.6
CRI	> 80	

* Performance measured at 120 VAC

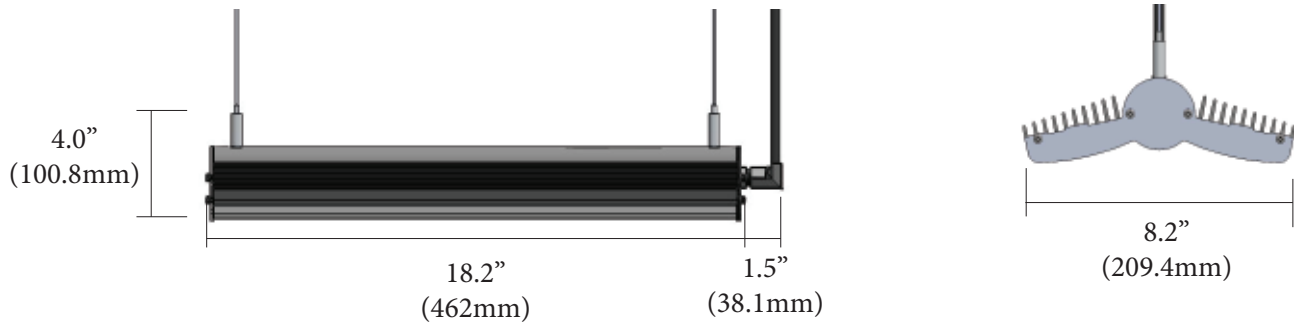
ELECTRICAL

Input Voltage	120-277 Vac
Hertz	50/60
Input Current	.7 - .3A
Operating Temp.	-20°C to +45°C -4°F to +113°F
Power Factor	> 0.9
THD	< 20%

CONSTRUCTION

Housing	Aluminum Extrusion
Finish	Black Anodize
Lens Cover	Frosted
Mounting	Pendant, Eye Bolt
Fixture Weight	8.1 lbs. (3.7 kg.)

DIMENSIONS



ORDERING INFORMATION

SERIES	MODEL	LENS	COLOR TEMP.	ORIENTATION	MOUNTING ACC.	FIXTURE MOUNTED SENSORS	REMOTE DIMMING	VOLTAGE	PLUG
LST	18V1	D = Diffused	5K = 5000K 4K = 4000K	S = Standard R = Reverse	P5 = Pendant w/ 5' Cable P10 = Pendant w/ 10' Cable EH = Eye Hook Mount	NSE = No Sensor DME = Daylight/Motion Embedded MSE = Motion Embedded	ND = No Dimming AD = 0-10 volt Dimming	U = 120/ 277	PN = No Plug P1 = L5-15p P2 = L6-16p P3 = L7-15p

Example: LST-18V1-D-5K-S-P5-NSE-ND-U-PN

*Bold indicates standard product options

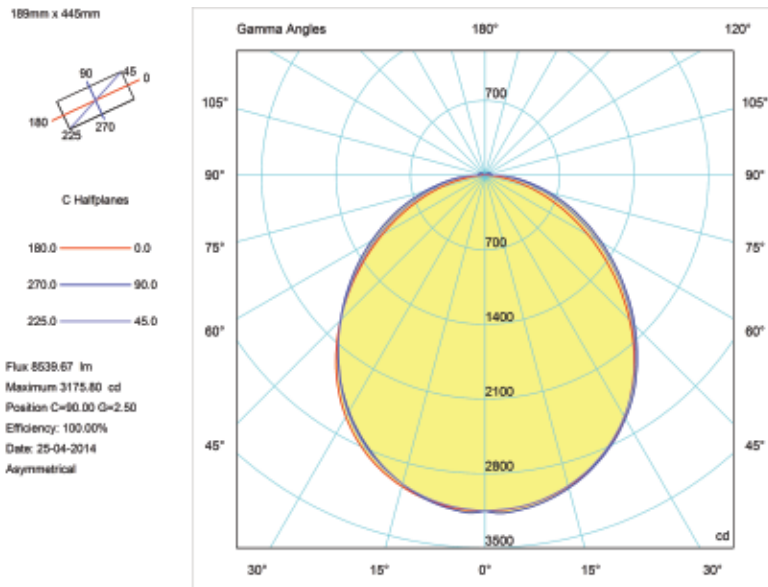
5 YEAR WARRANTY



LESTRA-18V1™

PHOTOMETRICS LST-18V1-D-50K

POLAR CANDELA DISTRIBUTION



ISOFOOTCANDLE PLOT

