

Versatility. Value. Velocity.



LED Cylinders

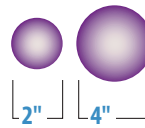
1", 2", 4", 6", 8", 10" and 12"



Meet the newly expanded Vantage LED Cylinder family.

The best of what's a round.

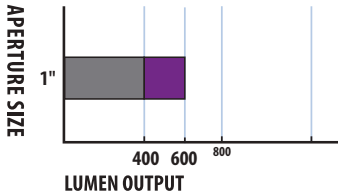
The new 1", 2", 4" and 6" additions further broaden Vantage Lighting's LED cylinder offerings, expanding the range of lumen levels, apertures, optics and mounting options, all delivered at industry-leading performance at exceptional value.



1" Aperture Downlight Surface, Stem, Cord

Fixture Height: 12"

Rated Lumen Output:

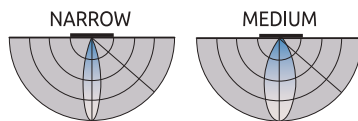


CCT: 2700K 3000K 3500K 4000K

CRI: 80 and 90 (27K only)

Lens: Frosted Polycarbonate

Distributions:

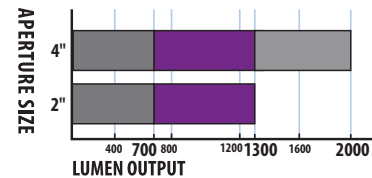


Dimming Options: 0-10V, Phase
Finishes: White, Black, Silver, Bronze

2" and 4" Aperture Downlight Surface, Stem, Cord, Wall

Fixture Height: 2" = 8"h and 4" = 12"h

Rated Lumen Output:

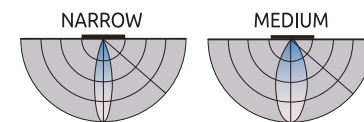


CCT: 2700K 3000K 3500K 4000K

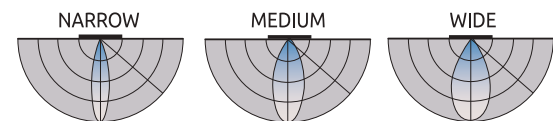
CRI: 80 and 90

Lens: Frosted Polycarbonate – 2" always lensed; 4" product available as open or lensed

2" Distributions:



4" Distributions:



Dimming Options: 0-10V, Phase
Finishes: White, Black, Silver, Bronze

All Products: Suitable for Damp Locations 

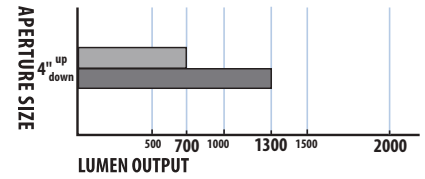


4" Aperture Uplight/Downlight Wall



Fixture Height: 4" = 12"h

Rated Lumen Output:

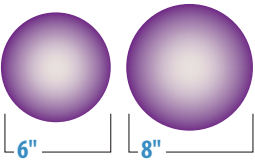
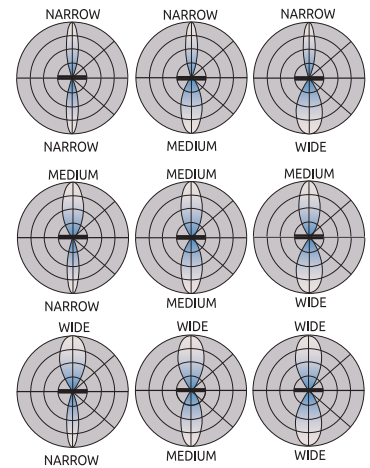


CCT: **2700K 3000K 3500K 4000K**

CRI: 80 and 90

Lens: Polycarbonate lens – uplight always lensed; downlight available as open or lensed

4" Up/Down Distributions:



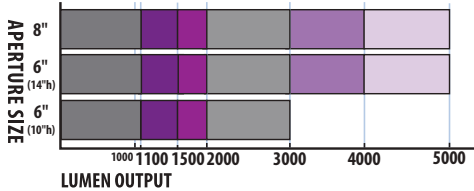
6" and 8" Aperture Downlight Surface, Cord/Cable, Stem, Wall

Fixture Height:

6" = 10"h or 14"h

8" = 14"h

Rated Lumen Output:

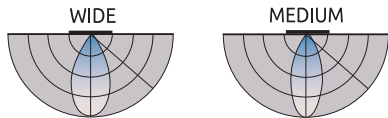


CCT: **2700K 3000K 3500K 4000K**

CRI: 80

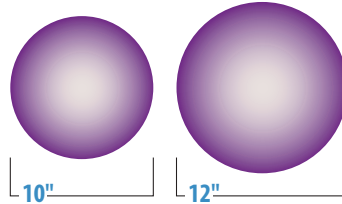
6" Lens Options: Clear Glass, Clear Polycarbonate, Frosted, Prismatic Glass, Prismatic Acrylic, and Optical Diffusers in 20°, 40°, 60° and 80°. 6" product available as open or lensed; 8" open only.

6" Distribution: 8" Distribution:



Dimming Option: 0-10V

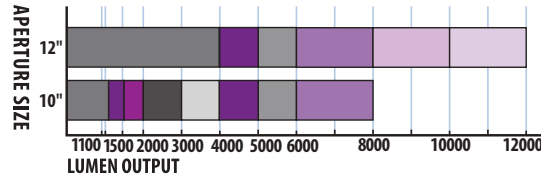
Finishes: White, Black, Silver, Bronze



10" and 12" Aperture Downlight Surface, Cord/Cable, Stem, Wall

Fixture Height: 10" = 18"h, 12" = 20"h

Rated Lumen Output:

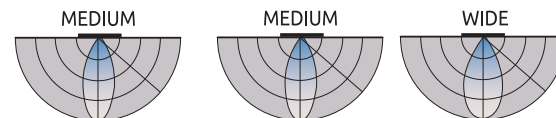


CCT: **2700K 3000K 3500K 4000K**

CRI: 80 and 90

Lens Options: Clear Glass, Clear Polycarbonate, Frosted, Prismatic Glass, Prismatic Acrylic, and Optical Diffusers in 20°, 40°, 60° and 80°. 10" and 12" products available as open or lensed.

10" Distribution: 12" Distributions:



Dimming Options: 0-10V, DMX, Dali

Finishes: White, Black, Silver, Bronze

Dimming Options: 0-10V, Phase
Finishes: White, Black, Silver, Bronze



 6" x 14" open cylinder is part of Vantage Velocity quick-ship program. Available in outputs up to 2000 lumens and in color temperatures of 3000K, 3500K and 4000K. White finish only.

Vantage Lighting is a leading manufacturer of specification-grade downlights and cylinders for commercial and institutional applications. Vantage offers a complete line of energy-efficient new construction, retrofit and remodel luminaires, with a variety of lamp and control options, aperture sizes, styles, mounting types, light distributions, and lumen packages. For over 20 years, specifiers have come to rely on Vantage for our ability to meet project design objectives, budgets, and schedules by consistently developing, manufacturing, and shipping quality lighting products on time.

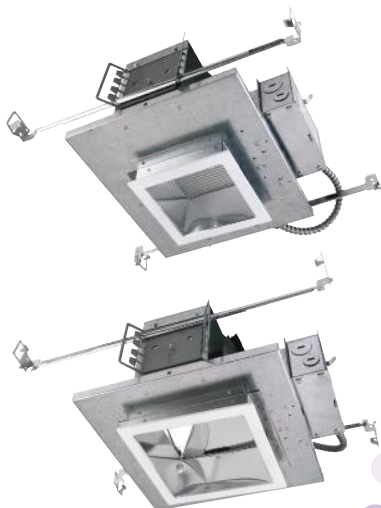
State-of-the-art **PERFORMANCE** for a tremendous **VALUE**, delivered in **DAYS** — that's **VANTAGE LIGHTING**

RELATED PRODUCTS

Round Downlights, Adjustables and Wall Wash



Square Downlights, Adjustables and Wall Wash

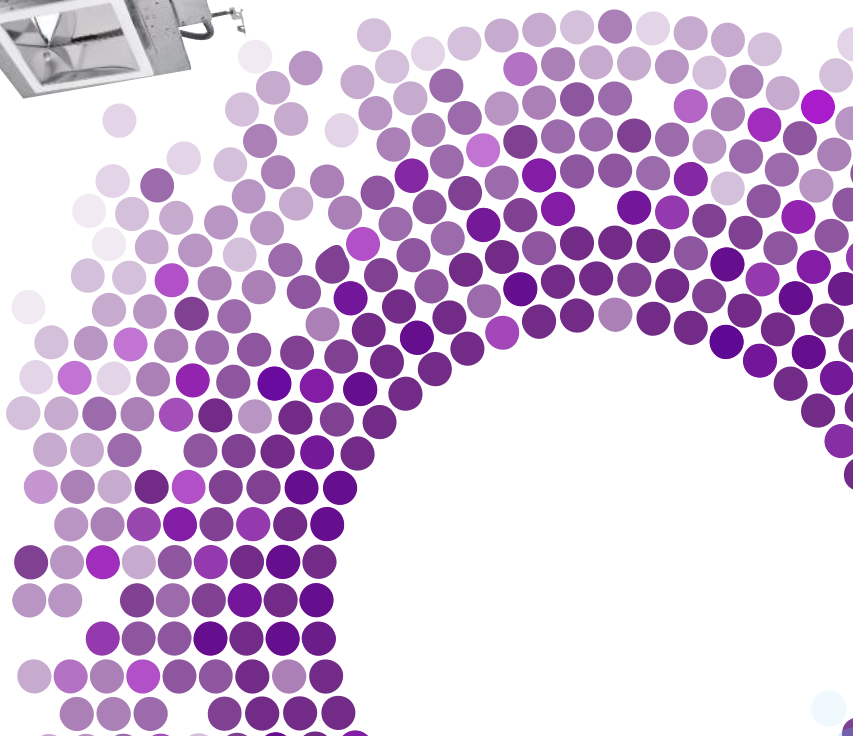


Low Bays



645 Myles Standish Blvd
Taunton, MA 02780
p: (860) 564 4512
f: (508) 822 7046

www.vantageltg.com





Vantage Velocity Quick Shipping Program



SHIP TIMES:
 C Class and cylinders 3-5 days
 F Class and Squares 2-3 days
Now Available with EM Option in 3-5 Business Days!

ARCHITECTURAL RECESSED DOWNLIGHTS - ROUND APERTURE

Size	Housing/Lumens	Open Reflectors		Lensed Reflectors	
		SCL or SGC Finish		SCL or SGC Finish	
2"	A2VOCLEL-07	C200-SGC-MD 3-5 Day Ship Time	NCF 2 Day Ship Time		
	-13				
2"	A2VECLEL-07			C201-SGC-MD 3-5 Day Ship Time	NCF 2 Day Ship Time
	-13				
4"	A4VOCLEL-07	C400-SGC-MD 3-5 Day Ship Time	NCF 2 Day Ship Time		
	-13				
4"	A4VECLEL-07			C401-SGC-MD 3-5 Day Ship Time	NCF 2 Day Ship Time
	-13				
6"	A6VOCLEL-07	C600-SGC-MD 3-5 Day Ship Time	NCF 2 Day Ship Time		
	-13				
6"	A6VECLEL-07			C601-SGC-MD 3-5 Day Ship Time	NCF 2 Day Ship Time
	-13				

	Lumens Levels	Reflectors							Finishes			
		750	1100	1500	2000	3000	4000	5000				
F-Class Gen V	4" A4VOFLEDU	X	X	X	X	X	X	X	L4060		SCL	SGC
	4" A4VEFLEDU	X	X	X	X	X	X	X	L4011	L4011FR	SCL	SGC
	6" A6VOFLEDU	X	X	X	X	X	X	X	M6060		SCL	SGC
	6" A6VOFLEDESU	X	X	X	X	X	X	X	ES6060		SCL	SGC
	6" A6VEFLEDU	X	X	X	X	X	X	X	L6011	L6011FR	SCL	SGC
F•Class Gen V Collection		Drivers				Options						
		Standard (01-10V to 1%)		2-3 Days		EM		3-5 Days				
		Lutron DL-2		3-5 Days								
		Lutron DL-3		3-5 Days								

CYLINDER WHITE OR BLACK PAINTED FINISH ONLY.

Size	Housing/Lumens	Open Reflector Ceiling Mount	Pendant Mount
6" x 14"	614PLED-11	VC614PLED	VP614PLED *Standard 1' stem length only.
	-15		
	-20		
	-30		
	-40		
-50			

ARCHITECTURAL RECESSED DOWNLIGHTS - SQUARE APERTURE

Size	Housing/Lumens	Open Reflector	Lensed Reflector	SCL or SGC Finish
		SCL or SGC Finish	Size Housing/Lumens	
4"	SQ44LEDOP-11	LSQ4400	4" SQ44LEDEP-11	LSQ4411 - Clear Glass LSQ4411FR - Frosted Glass
	-15		-15	
	-20		-20	
6"	SQ66LEDOP-11	LSQ6600	6" SQ66LEDEP-11	LSQ6611 - Clear Glass LSQ6611FR - Frosted Glass
	-15		-15	
	-20		-20	

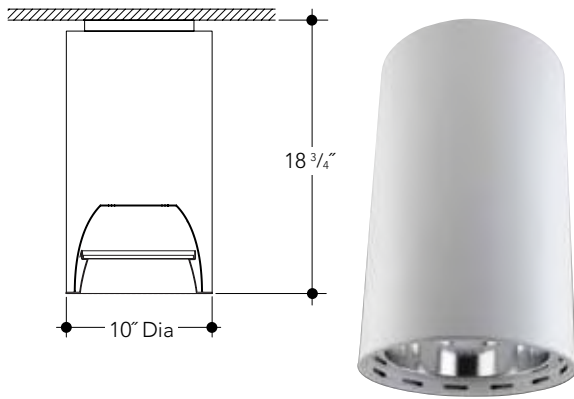
Notes: Orders need to specify 'Vantage Velocity.'
 Vantage Velocity program is available for orders 50 total units.
 Call factory to expedite larger orders or if emergency shipping is needed.

Color temperatures 3000°K, 3500°K, 4000°K.
 Vantage Velocity orders with EM's will be dated for 3-5 days.
 Shipping times can be subject to change in extraordinary circumstances.

Factory will confirm estimated ship dates.
 Lutron DL-3 dimming option available for F-class round and square fixtures.
 Call factory regarding expedited shipments on other luminaires.

Rev 061317

DIMENSIONS



FEATURES

High Performance LED Array

A high output module featuring a wide variety of lumen and color packages. Standard solid state driver, provides stable and efficient performance and a variety of dimming control options.

Benefits

- Highly energy efficient solution: up to 130 lumens per watt.
- Wide range of color temperatures 2700 - 4000K.
- Color consistency within a 3 step MacAdam ellipse.
- Module features high quality accurate color production and uniform consistent white light.
- 0-10V Dimmable driver to 10% light output standard.
- Optional dimming drivers include 0-10V to 1%, DMX and DALI.
- Minimum 80 CRI standard. Optional 90 CRI available.

Cylinder

Housing is .064" thick spun aluminum cylinder. Polyester powdercoat exterior finish with factory standard colors White (WHT), Black (BLK), Bronze (BZ), Silver (CS).

VC Mounting - Ceiling mount over recessed octagonal or 4" square junction box (by others).

VP Mounting - Pendant mount with 3/8" IP x 12" long rigid stem and swivel canopy for mounting on sloped ceilings up to 45°. Custom length stems available.

VW Mounting - Wall mount bracket constructed of cast aluminum and designed for mounting over recessed junction box. (by others).

CCK Cord and Cable Mounting kits available, standard length 72", other lengths available. Provided with 5 conductor cord to support 0-10V dimming.

CYLINDER STYLES

LENSED

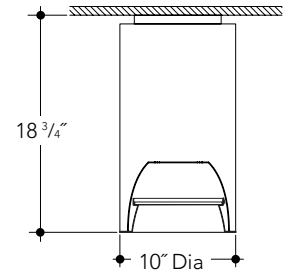
Ceiling Mount

8" Aperture

VC1018BLED Ceiling Mount 10"x18" Vertical LED

Finish Options

- SCL Specular Clear "Alzak"
- SGC Soft Glow Clear
- ECL Etch Clear
- WHT White Reflector



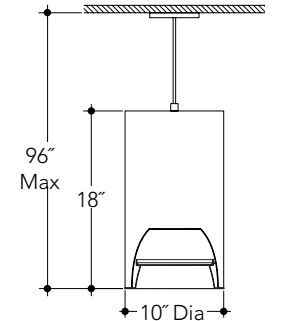
Pendant Mount

8" Aperture

VP1018BLED Pendant Mount 10"x18" Vertical LED

Finish Options

- SCL Specular Clear "Alzak"
- SGC Soft Glow Clear
- ECL Etch Clear
- WHT White Reflector



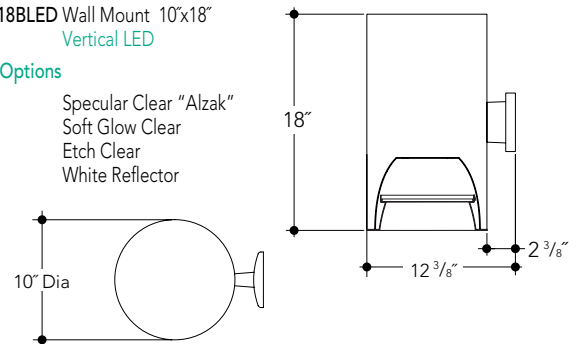
Wall Mount

8" Aperture

VW1018BLED Wall Mount 10"x18" Vertical LED

Finish Options

- SCL Specular Clear "Alzak"
- SGC Soft Glow Clear
- ECL Etch Clear
- WHT White Reflector



Manufactured and Listed to UL 1598, ETL and CSA standards. Indoor Locations Only.

ORDERING INFORMATION

EXAMPLE: VC1018BLED-4027K-1011FR-WHT-SCL-DDM

Wattage LED	Mounting	Series	Lumens	Kelvin	Reflector	Lens	Color	Finish	Options
See Chart	VC	1018BLED	-40 = 4000	27K = 2700K	101(X)	1	WHT	SCL	CCK-(XX")
Below	VP		-50 = 5000	30K = 3000K		1P	BLK	SGC	DDM
	VW		-60 = 6000	35K = 3500K		1FR	BZ	ECL	DMX
			-80 = 8000	40K = 4000K		4	CC	WHT	HCR
			-100 = 10000			4P	CS		P-(XX")
						2D			REM
						4D			ZDM
						6D			
						8D			

Lumens	Wattage*
4000	43W
5000	58W
6000	71W
8000	86W
10000	100W

*Actual Wattage/Lumens may vary.

Reflector
101(X) Alzak or Painted Splay

Lens
1 Clear Glass
1P Clear Polycarbonate
1FR Frosted
4 Prismatic Glass
4P Prismatic Acrylic

Special Optics
2D - Optical Diffuser-20°
4D - Optical Diffuser-40°
6D - Optical Diffuser-60°
8D - Optical Diffuser-80°

Options
CCK-(XX") - Cord and Cable Mounting Kit
DDM - Dali Dimming
DMX - DMX with RDM, to less than 1%
HCR - High Color Rendering - 90 CRI Min.

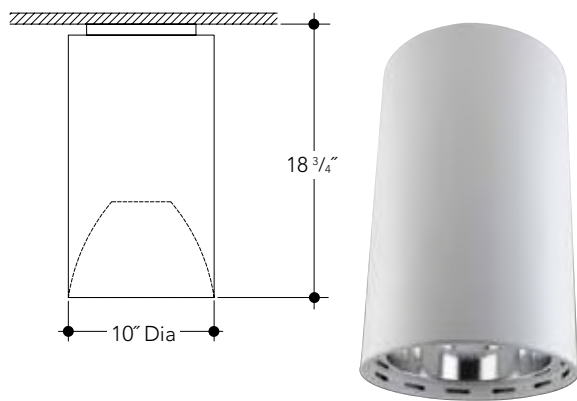
P-(XX") - Additional Stem Length (Specify Length)
REM - Remote Emergency Battery Backup
REM not available with the CCK (cord & cable kits)
ZDM - 0-10V Dimming to 1%

Vantage reserves the right to change components, finishes or design details in any manner which does not alter the installed appearance or reduce performance and intended function.

▲ See Options pages for other options and finishes.

Project Name: _____ Type: _____

DIMENSIONS



FEATURES

High Performance LED Array

A high output module featuring a wide variety of lumen and color packages. Standard solid state driver, provides stable and efficient performance and a variety of dimming control options.

Benefits

- Highly energy efficient solution: up to 130 lumens per watt.
- Wide range of color temperatures 2700 - 4000K.
- Color consistency within a 3 step MacAdam ellipse.
- Module features high quality accurate color production and uniform consistent white light.
- 0-10V Dimmable driver to 10% light output standard.
- Optional dimming drivers include 0-10V to 1%, DMX and DALI.
- Minimum 80 CRI standard. Optional 90 CRI available.

Cylinder

Housing is .064" thick spun aluminum cylinder. Polyester powdercoat exterior finish with factory standard colors White (WHT), Black (BLK), Bronze (BZ), Silver (CS).

VC Mounting - Ceiling mount over recessed octagonal or 4" square junction box (by others).

VP Mounting - Pendant mount with 3/8" IP x 12" long rigid stem and swivel canopy for mounting on sloped ceilings up to 45°. Custom length stems available.

VW Mounting - Wall mount bracket constructed of cast aluminum and designed for mounting over recessed junction box. (by others).

CCK Cord and Cable Mounting kits available, standard length 72", other lengths available. Provided with 5 conductor cord to support 0-10V dimming.

CYLINDER STYLES

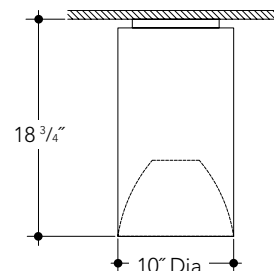
OPEN

Ceiling Mount 8" Aperture

VC1018BLED Ceiling Mount 10"x18"
Vertical LED

Finish Options

- SCL Specular Clear "Alzak"
- SGC Soft Glow Clear
- ECL Etch Clear
- WHT White Reflector

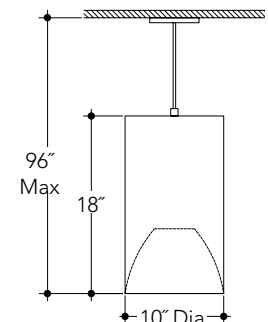


Pendant Mount 8" Aperture

VP1018BLED Pendant Mount 10"x18"
Vertical LED

Finish Options

- SCL Specular Clear "Alzak"
- SGC Soft Glow Clear
- ECL Etch Clear
- WHT White Reflector

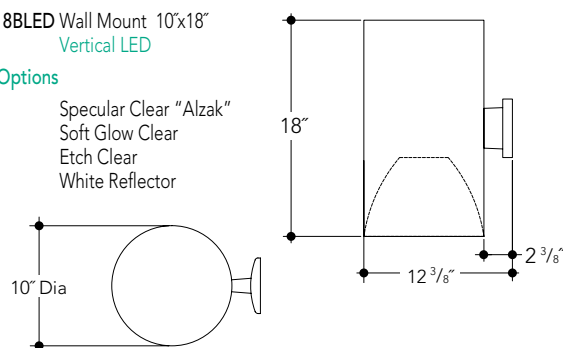


Wall Mount 8" Aperture

VW1018BLED Wall Mount 10"x18"
Vertical LED

Finish Options

- SCL Specular Clear "Alzak"
- SGC Soft Glow Clear
- ECL Etch Clear
- WHT White Reflector



Manufactured and Listed to UL 1598, ETL and CSA standards. Indoor Locations Only.

ORDERING INFORMATION

EXAMPLE: VC1018BLED-6030K-WHT-SCL-DDM

Wattage LED	Mounting	Series	Lumens	Kelvin	Color	Finish	Options
See Chart Below	VC	1018BLED	-40 = 4000	27K = 2700K	WHT BLK BZ CC CS	SCL	CCK-(XX")
	VP		-50 = 5000	30K = 3000K		SGC	DDM
	VW		-60 = 6000	35K = 3500K		ECL	DMX
			-80 = 8000	40K = 4000K		WHT	HCR
			-100 = 10000				P-(XX")
						REM	ZDM

Lumens	Wattage*
4000	43W
5000	58W
6000	71W
8000	86W
10000	100W

*Actual Wattage/Lumens may vary.

Options

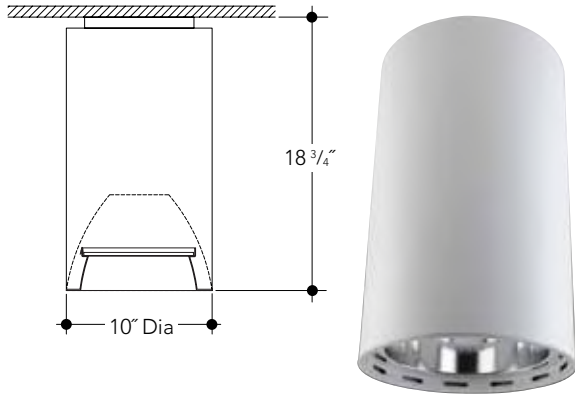
- CCK-(XX") - Cord and Cable Mounting Kit
- DDM - Dali Dimming
- DMX - DMX with RDM, to less than 1%
- HCR - High Color Rendering - 90 CRI Min.

- P-(XX") - Additional Stem Length (Specify Length)
- REM - Remote Emergency Battery Backup
- REM not available with the CCK (cord & cable kits)
- ZDM - 0-10V Dimming to 1%

Vantage reserves the right to change components, finishes or design details in any manner which does not alter the installed appearance or reduce performance and intended function.

▲ See Options pages for other options and finishes.

DIMENSIONS



FEATURES

Fortimo LED DLM Flex Systems

New Fortimo LED Downlight Module (DLM) Flex systems now provide the latest advances, including high quality LED options to satisfy both functional and performance requirements along with excellent energy efficiency and color consistency. For practical and general lighting applications, the Fortimo LED DLM Flex Module is an excellent solution.

Its direct white mid-power LED technology combines high light quality and energy efficiency levels over 100 Lm/W, offering superior price/performance along with low maintenance costs and a long lifetime of 50,000 hours. Three lumen packages are available: 3000, 4000, 5000, 6000 and 7000.

Features and Benefits

- High energy efficiency system up to 107 lm/W.
- Wide range of lumen packages from 3000-5000 lm.
- High quality of light with CRI 80 and 3 SDCM color consistency.
- Philips Xitanium driver features internal thermal protection and 0-10V dimming to 1% of lumen output.
- Input volts 120-277V.
- Minimum 50,000 hours of life at L₇₀ standard.
- Smart systems with Philips Advance Xitanium drivers.
- 5 year warranty on LED module and driver.

Cylinder

Housing is .064" thick spun aluminum cylinder. Polyester powdercoat exterior finish with factory standard colors White (WHT), Black (BLK), Bronze (BZ), Silver (CS).

VC Mounting - Ceiling mount over recessed octagonal or 4" square junction box (by others).

VP Mounting - Pendant mount with 3/8" IP x 12" long rigid stem and swivel canopy for mounting on sloped ceilings up to 45°. Custom length stems available.

VW Mounting - Wall mount bracket constructed of cast aluminum and designed for mounting over recessed junction box. (by others).

CCK Cord and Cable Mounting kits available, standard length 72", other lengths available. Provided with 5 conductor cord to support 0-10V dimming.

CYLINDER STYLES

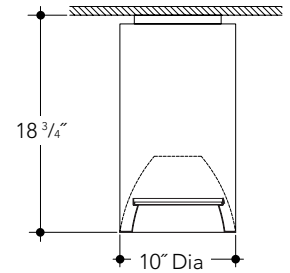
LENSED

Ceiling Mount 8" Aperture

VC1018PLED Ceiling Mount 10"x18" Vertical LED

Finish Options

- SCL Specular Clear "Alzak"
- SGC Soft Glow Clear
- ECL Etch Clear
- WHT White Reflector

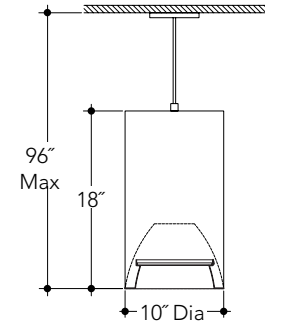


Pendant Mount 8" Aperture

VP1018PLED Pendant Mount 10"x18" Vertical LED

Finish Options

- SCL Specular Clear "Alzak"
- SGC Soft Glow Clear
- ECL Etch Clear
- WHT White Reflector

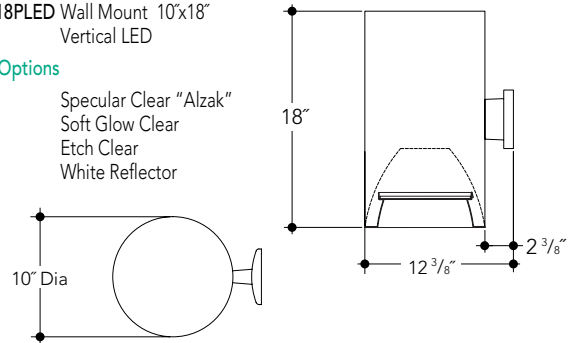


Wall Mount 8" Aperture

VW1018PLED Wall Mount 10"x18" Vertical LED

Finish Options

- SCL Specular Clear "Alzak"
- SGC Soft Glow Clear
- ECL Etch Clear
- WHT White Reflector



Manufactured and Listed to UL 1598, ETL and CSA standards. Indoor Locations Only.

ORDERING INFORMATION

EXAMPLE: VC1018PLED-3030K-1011FR-WHT-SCL-DDM

Wattage LED	Mounting	Series	Lumens	Kelvin	Reflector	Lens	Color	Finish	Options
See Chart	VC	1018PLED	-30 = 3000	27K = 2700K	101(X)	1	WHT	SCL	CCK-(XX")
Below	VP		-40 = 4000	30K = 3000K		1P	BLK	SGC	P-(XX")
	VW		-50 = 5000	35K = 3500K		1FR	BZ	ECL	REM
			-60 = 6000	40K = 4000K		4	CC	WHT	TDM
			-70 = 7000			4P	CS		
						2D			
					4D				
					6D				
					8D				

Lumens	Wattage*
3000-3K	30.8
3000-4K	29.3
4000-3K	TBD
4000-4K	TBD
5000-3K	52.8
5000-4K	50.2

*Actual Wattage/Lumens may vary.

Reflector
101(X) Alzak or Painted Splay

Lens
1 Clear Glass
1P Clear Polycarbonate
1FR Frosted
4 Prismatic Glass
4P Prismatic Acrylic

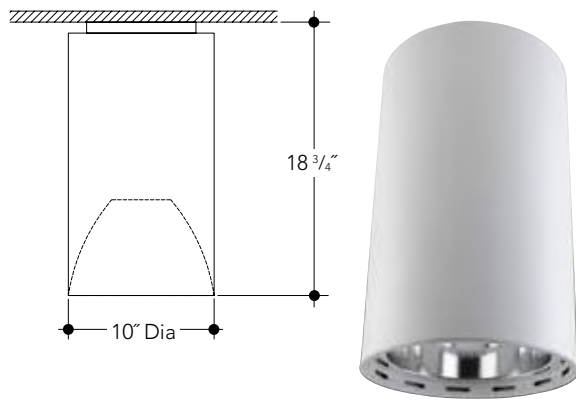
Special Optics
2D - Optical Diffuser-20°
4D - Optical Diffuser-40°
6D - Optical Diffuser-60°
8D - Optical Diffuser-80°

Options
CCK-(XX") - Cord and Cable Mounting Kit
P-(XX") - Additional Stem Length (Specify Length)
REM - Remote Emergency Battery Backup
REM not available with the CCK (cord & cable kits)
TDM - Triac/phase dimming to 20%

Vantage reserves the right to change components, finishes or design details in any manner which does not alter the installed appearance or reduce performance and intended function.

▲ See Options pages for other options and finishes.

DIMENSIONS



FEATURES

Fortimo LED DLM Flex Systems

New Fortimo LED Downlight Module (DLM) Flex systems now provide the latest advances, including high quality LED options to satisfy both functional and performance requirements along with excellent energy efficiency and color consistency. For practical and general lighting applications, the Fortimo LED DLM Flex Module is an excellent solution.

Its direct white mid-power LED technology combines high light quality and energy efficiency levels over 100 Lm/W, offering superior price/performance along with low maintenance costs and a long lifetime of 50,000 hours. Three lumen packages are available: 3000, 4000, 5000, 6000 and 7000.

Features and Benefits

- High energy efficiency system up to 107 lm/W.
- Wide range of lumen packages from 3000-5000 lm.
- High quality of light with CRI 80 and 3 SDCM color consistency.
- Philips Xitanium driver features internal thermal protection and 0-10V dimming to 1% of lumen output.
- Input volts 120-277V.
- Minimum 50,000 hours of life at L₇₀ standard.
- Smart systems with Philips Advance Xitanium drivers.
- 5 year warranty on LED module and driver.

Cylinder

Housing is .064" thick spun aluminum cylinder. Polyester powdercoat exterior finish with factory standard colors White (WHT), Black (BLK), Bronze (BZ), Silver (CS).

VC Mounting - Ceiling mount over recessed octagonal or 4" square junction box (by others).

VP Mounting - Pendant mount with 3/8" IP x 12" long rigid stem and swivel canopy for mounting on sloped ceilings up to 45°. Custom length stems available.

VW Mounting - Wall mount bracket constructed of cast aluminum and designed for mounting over recessed junction box. (by others).

CCK Cord and Cable Mounting kits available, standard length 72", other lengths available. Provided with 5 conductor cord to support 0-10V dimming.

CYLINDER STYLES

OPEN

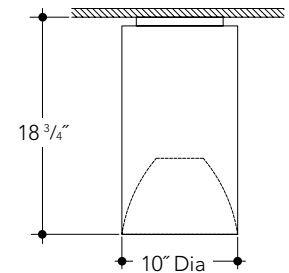
Ceiling Mount

8" Aperture

VC1018PLED Ceiling Mount 10"x18"
Vertical LED

Finish Options

- SCL Specular Clear "Alzak"
- SGC Soft Glow Clear
- ECL Etch Clear
- WHT White Reflector



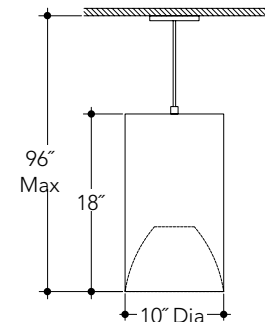
Pendant Mount

8" Aperture

VP1018PLED Pendant Mount 10"x18"
Vertical LED

Finish Options

- SCL Specular Clear "Alzak"
- SGC Soft Glow Clear
- ECL Etch Clear
- WHT White Reflector



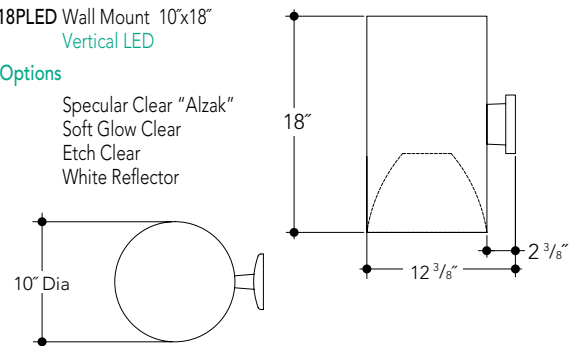
Wall Mount

8" Aperture

VW1018PLED Wall Mount 10"x18"
Vertical LED

Finish Options

- SCL Specular Clear "Alzak"
- SGC Soft Glow Clear
- ECL Etch Clear
- WHT White Reflector



Manufactured and Listed to UL 1598, ETL and CSA standards.
Indoor Locations Only.

ORDERING INFORMATION

EXAMPLE: VC1018PLED-5040K-WHT-SCL-REM

Wattage LED	Mounting	Series	Lumens	Kelvin	Color	Finish	Options
See Chart Below	VC	1018PLED	-30 = 3000	27K = 2700K	WHT	SCL	CCK-(XX")
	VP		-40 = 4000	30K = 3000K	BLK	SGC	P-(XX")
	VW		-50 = 5000	35K = 3500K	BZ	ECL	REM
			-60 = 6000	40K = 4000K	CC	WHT	TDM
			-70 = 7000		CS		

Lumens	Wattage*
3000-3K	30.8
3000-4K	29.3
4000-3K	TBD
4000-4K	TBD
5000-3K	52.8
5000-4K	50.2

*Actual Wattage/Lumens may vary.

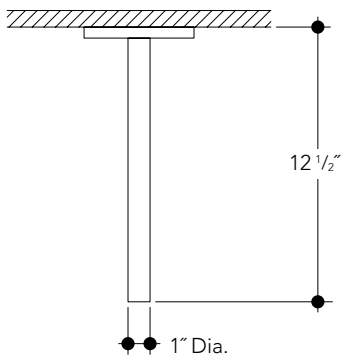
Options

- CCK-(XX") - Cord and Cable Mounting Kit
- P-(XX") - Additional Stem Length (Specify Length)
- REM - Remote Emergency Battery Backup
- REM not available with the CCK (cord & cable kits)
- TDM - Triac/phase dimming to 20%

Vantage reserves the right to change components, finishes or design details in any manner which does not alter the installed appearance or reduce performance and intended function.

▲ See Options pages for other options and finishes.

DIMENSIONS



FEATURES

High Performance LED Array

A compact, high quality light LED array with industry leading efficiency of over 100 lumens per watt. With reduced thermal resistance and increased maximum allowable operating temperatures, Vantage Lighting mates these features with excellent thermal management techniques within the luminaire to provide unsurpassed life expectancy. Tight binning control ensures minimal colorvariation from source to source and lower operating temperatures minimize color shift over time. Available in a wide variety of color temperatures and in either an 80 minimum, or optional 90 minimum CRI. Offered standard with 0-10V dimming compatible driver and optional phase/Triac dimming driver available.

Features and Benefits

- Industry leading lumens per watt (efficacy).
- Wide range of standard color temperatures 2700-4000K.
- Color consistency with a maximum of a 3 step MacAdam ellipse.
- Standard 80 minimum CRI with optional 90 minimum CRI, R9 value of 50 minimum.
- 0-10V dimming driver to 10% of light output standard. Optional phase/Triac dimming driver to 20% of light output available.
- Minimum L_{70} 50,000 hours in all configurations.
- All electronic components are covered by a 5 year warranty.

Cylinder

Housing is .064" thick spun aluminum cylinder. Polyester powdercoat exterior finish with factory standard colors White (WHT), Black (BLK), Bronze (BZ), Silver (CS).

VC Mounting - Ceiling mount over recessed octagonal or 4" square junction box (by others).

VP Mounting - Pendant mount with 1/4" IP x 12" long rigid stem and swivel canopy for mounting on sloped ceilings up to 45°. Custom length stems available.

VCK Cord Mounting standard length 72", other lengths available. Provided with 5 conductor cord to support 0-10V dimming. Cord color automatically selected to most closely match painted finish (White, Black or Gray).

For canopy details see Mounting Options Specification Sheet.

CYLINDER STYLES

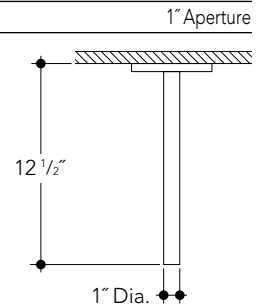
OPEN

Ceiling Mount

VC112BLED Ceiling Mount 1"x12"
Vertical LED

Distribution Options

- NW Narrow
- MD Medium

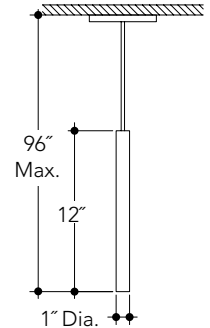


Pendant Mount

VP112BLED Pendant Mount 1"x12"
Vertical LED

Distribution Options

- NW Narrow
- MD Medium

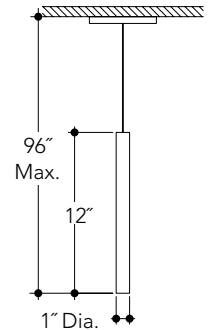


Cord Mount

VCK112BLED CordMount 1"x12"
Vertical LED

Distribution Options

- NW Narrow
- MD Medium



Manufactured and Listed to UL 1598, ETL and CSA standards.
Suitable for Damp Locations. Wet location under covered ceiling.

ORDERING INFORMATION

EXAMPLE: VCK112BLED-0430K-MD-CS-CK-96"

Wattage LED	Mounting	Series	Lumens	Kelvin	Distribution	Color	Options
See Chart Below	VC	112BLED	-04 = 400	27K = 2700K	NW	WHT	CK-(XX")
	VP		-06 = 600	30K = 3000K	MD	BLK	HCR
	VCK		35K = 3500K		BZ	P-(XX")	
			40K = 4000K		CC	REM	
						CS	TDM

Lumens	Wattage*
400	7.4
600	TBD

*Actual Wattage/Lumens may vary.

Options

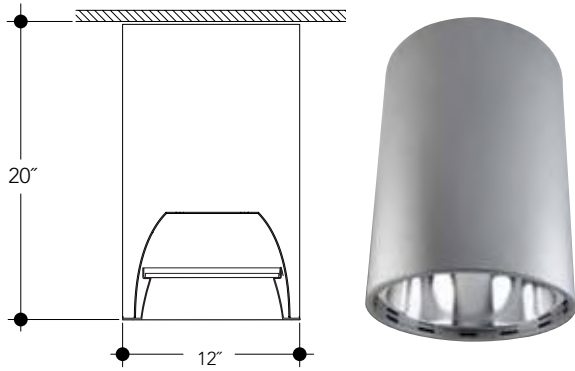
- CK-(XX") - Additional cord length (Specify Length)
- HCR - High Color Rendering - 90 CRI Min.
- P-(XX") - Additional Stem Length (Specify Length)

- REM - Remote Emergency Battery Backup
REM not available with the VCK (cord mounted)
- TDM - Triac/phase dimming to 20%

Vantage reserves the right to change components, finishes or design details in any manner which does not alter the installed appearance or reduce performance and intended function.

▲ See Options pages for other options and finishes.

DIMENSIONS



FEATURES

High Performance LED Array

A high output module featuring a wide variety of lumen and color packages. Standard solid state driver, provides stable and efficient performance and a variety of dimming control options.

Benefits

- Highly energy efficient solution: up to 130 lumens per watt.
- Wide range of color temperatures 2700 - 4000K.
- Module features high quality accurate color production and uniform consistent white light.
- Color consistency within a 3 step MacAdam ellipse.
- Minimum 80 CRI standard. Optional 90 CRI available.
- 0-10V Dimmable driver to 10% light output standard.
- Optional dimming drivers include 0-10V to 1%, DMX and DALI.
- Wide variety of lensing options.

Cylinder

Housing is .064" thick spun aluminum cylinder. Polyester powdercoat exterior finish with factory standard colors White (WHT), Black (BLK), Bronze (BZ), Silver (CS).

VC Mounting - Ceiling mount over recessed octagonal or 4" square junction box (by others).

VP Mounting - Pendant mount with 3/8" IP x 12" long rigid stem and swivel canopy for mounting on sloped ceilings up to 45°. Custom length stems available.

VW Mounting - Wall mount bracket constructed of cast aluminum and designed for mounting over recessed junction box. (by others).

CCK Cord and Cable Mounting kits available, standard length 72", other lengths available. Provided with 5 conductor cord to support 0-10V dimming.

CYLINDER STYLES

LENSED

Ceiling Mount 10" Aperture

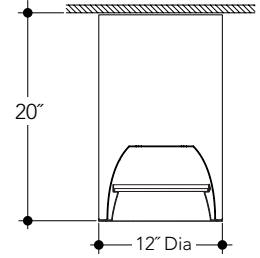
VC1220BLED Ceiling Mount 12"x20" Vertical LED

Distribution Options

- MD Medium
- WE Wide

Finish Options

- SCL Specular Clear "Alzak"
- SGC Soft Glow Clear
- ECL Etch Clear
- WHT White Reflector



Pendant Mount 10" Aperture

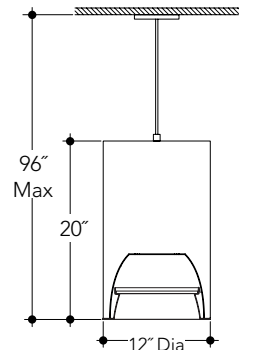
VP1220BLED Pendant Mount 12"x20" Vertical LED

Distribution Options

- MD Medium
- WE Wide

Finish Options

- SCL Specular Clear "Alzak"
- SGC Soft Glow Clear
- ECL Etch Clear
- WHT White Reflector



Wall Mount 10" Aperture

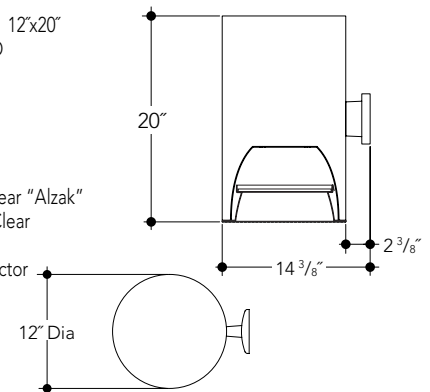
VW1220BLED Wall Mount 12"x20" Vertical LED

Distribution Options

- MD Medium
- WE Wide

Finish Options

- SCL Specular Clear "Alzak"
- SGC Soft Glow Clear
- ECL Etch Clear
- WHT White Reflector



Manufactured and Listed to UL 1598, ETL and CSA standards. Indoor Locations Only.

ORDERING INFORMATION

EXAMPLE: VC1220BLED-4030K-1211FR-WHT-SGC-DMX

Wattage LED	Mounting	Series	Lumens	Kelvin	Distribution	Reflector	Lens	Color	Finish	Options
See Chart	VC	1220BLED	-40 = 4000	27K = 2700K	MD	121(X)	1	WHT	SCL	CCK-(XX")
Below	VP		-50 = 5000	30K = 3000K	WE		1P	BLK	SGC	DDM
			-60 = 6000	35K = 3500K			1FR	BZ	ECL	DMX
			-80 = 8000	40K = 4000K			4	CC	WHT	HCR
			-100 = 10000				4P	CS		P-(XX")
			-120 = 12000				2D			REM
			-150 = 15000				4D			ZDM
							6D			
		8D								

Lumens	Wattage*
4000	43W
5000	58W
6000	71W
8000	86W
10000	106W
12000	126W
15000	159W

*Actual Wattage/Lumens may vary.

Reflector
121(X) Alzak or Painted Splay

Lens
1 Clear Glass
1P Clear Polycarbonate
1FR Frosted
4 Prismatic Glass
4P Prismatic Acrylic

Special Optics
2D - Optical Diffuser-20°
4D - Optical Diffuser-40°
6D - Optical Diffuser-60°
8D - Optical Diffuser-80°

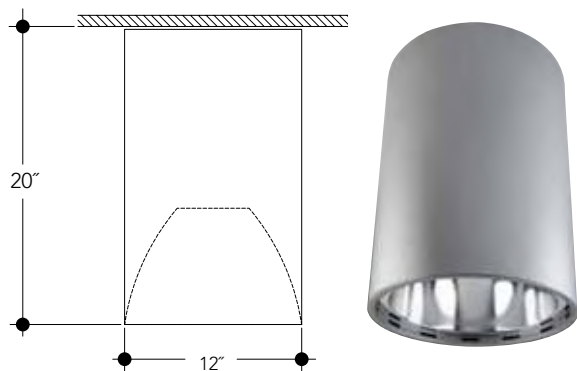
Options
CCK-(XX") - Cord and Cable Mounting Kit
DDM - Dali Dimming
DMX - DMX dimming to < 1% with RDM Up to 10,000 lumens only
HCR - High Color Rendering - 90 CRI Min.

P-(XX") - Additional Stem Length (Specify Length)
REM - Remote Emergency Battery Backup
REM not available with the CCK (cord & cable kits)
ZDM - 0-10V Dimming to 1%

Vantage reserves the right to change components, finishes or design details in any manner which does not alter the installed appearance or reduce performance and intended function.

▲ See Options pages for other options and finishes.

DIMENSIONS



FEATURES

High Performance LED Array

A high output module featuring a wide variety of lumen and color packages. Standard solid state driver, provides stable and efficient performance and a variety of dimming control options.

Benefits

- Highly energy efficient solution: up to 130 lumens per watt.
- Wide range of color temperatures 2700 - 4000K.
- Module features high quality accurate color production and uniform consistent white light.
- Color consistency within a 3 step MacAdam ellipse.
- Minimum 80 CRI standard. Optional 90 CRI available.
- 0-10V Dimmable driver to 10% light output standard.
- Optional dimming drivers include 0-10V to 1%, DMX and DALI.

Cylinder

Housing is .064" thick spun aluminum cylinder. Polyester powdercoat exterior finish with factory standard colors White (WHT), Black (BLK), Bronze (BZ), Silver (CS).

VC Mounting - Ceiling mount over recessed octagonal or 4" square junction box (by others).

VP Mounting - Pendant mount with 3/8" IP x 12" long rigid stem and swivel canopy for mounting on sloped ceilings up to 45°. Custom length stems available.

VW Mounting - Wall mount bracket constructed of cast aluminum and designed for mounting over recessed junction box. (by others).

CCK Cord and Cable Mounting kits available, standard length 72", other lengths available. Provided with 5 conductor cord to support 0-10V dimming.

CYLINDER STYLES

OPEN

Ceiling Mount 10" Aperture

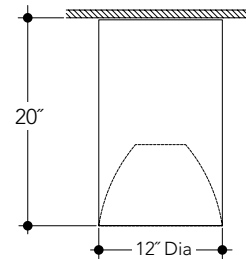
VC1220BLED Ceiling Mount 12"x20"
Vertical LED

Distribution Options

MD Medium
WE Wide

Finish Options

SCL Specular Clear "Alzak"
SGC Soft Glow Clear
ECL Etch Clear
WHT White Reflector



Pendant Mount 10" Aperture

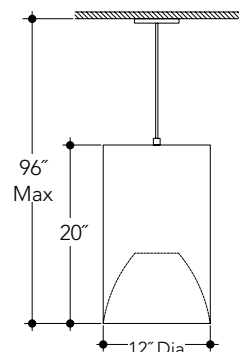
VP1220BLED Pendant Mount 12"x20"
Vertical LED

Distribution Options

MD Medium
WE Wide

Finish Options

SCL Specular Clear "Alzak"
SGC Soft Glow Clear
ECL Etch Clear
WHT White Reflector



Wall Mount 10" Aperture

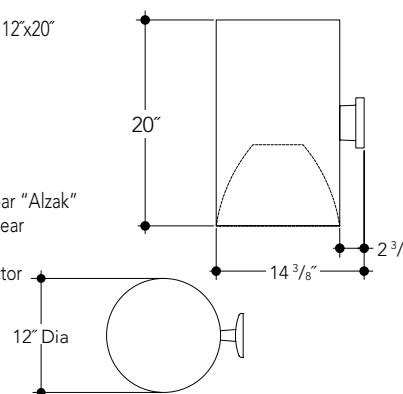
VW1220BLED Wall Mount 12"x20"
Vertical LED

Distribution Options

MD Medium
WE Wide

Finish Options

SCL Specular Clear "Alzak"
SGC Soft Glow Clear
ECL Etch Clear
WHT White Reflector



Manufactured and Listed to UL 1598, ETL and CSA standards.
Indoor Locations Only.

ORDERING INFORMATION

EXAMPLE: VC1220BLED-4030K-WHT-SGC-DMX

Wattage LED	Mounting	Series	Lumens	Kelvin	Distribution	Color	Finish	Options
See Chart	VC	1220BLED	-40 = 4000	27K = 2700K	MD	WHT	SCL	CCK-(XX")
Below	VP		-50 = 5000	30K = 3000K	WE	BLK	SGC	DDM
	VW		-60 = 6000	35K = 3500K		BZ	ECL	DMX
			-80 = 8000	40K = 4000K		CC	WHT	HCR
			-100 = 10000			CS		P-(XX")
			-120 = 12000					REM
			-150 = 15000					ZDM

Lumens	Wattage*
4000	43W
5000	58W
6000	71W
8000	86W
10000	106W
12000	126W
15000	159W

*Actual Wattage/Lumens may vary.

Options

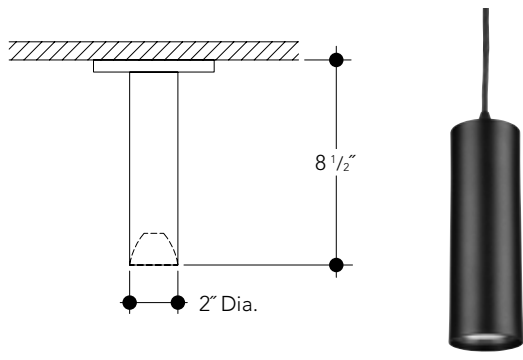
CCK-(XX") - Cord and Cable Mounting Kit
DDM - Dali Dimming
DMX - DMX dimming to < 1% with RDM
Up to 10,000 lumens only

HCR - High Color Rendering - 90 CRI Min.
P-(XX") - Additional Stem Length
(Specify Length)
REM - Remote Emergency Battery Backup
REM not available with the CCK
(cord & cable kits)
ZDM - 0-10V Dimming to 1%

Vantage reserves the right to change components, finishes or design details in any manner which does not alter the installed appearance or reduce performance and intended function.

▲ See Options pages for other options and finishes.

DIMENSIONS



FEATURES

High Performance LED Array

A compact, high quality light LED array with industry leading efficiency of over 100 lumens per watt. With reduced thermal resistance and increased maximum allowable operating temperatures, Vantage Lighting mates these features with excellent thermal management techniques within the luminaire to provide unsurpassed life expectancy. Tight binning control ensures minimal color variation from source to source and lower operating temperatures minimize color shift over time. Available in a wide variety of color temperatures and in either an 80 minimum, or optional 90 minimum CRI. Offered standard with 0-10V dimming compatible driver and optional phase/Triac dimming driver available.

Features and Benefits

- Industry leading lumens per watt (efficacy).
- Wide range of standard color temperatures 2700-4000K.
- Color consistency with a maximum of a 3 step MacAdam ellipse.
- Standard 80 minimum CRI with optional 90 minimum CRI, R9 value of 50 minimum.
- 0-10V dimming driver to 10% of light output standard. Optional phase/Triac dimming driver to 20% of light output available.
- Minimum L₇₀ 50,000 hours in all configurations.
- All electronic components are covered by a 5 year warranty.

Cylinder

Housing is .064" thick spun aluminum cylinder. Polyester powdercoat exterior finish with factory standard colors White (WHT), Black (BLK), Bronze (BZ), Silver (CS).

VC Mounting - Ceiling mount over recessed octagonal or 4" square junction box (by others).

VP Mounting - Pendant mount with 1/4" IP x 12" long rigid stem and swivel canopy for mounting on sloped ceilings up to 45°. Custom length stems available.

VW Mounting - Wall mount bracket constructed of cast aluminum and designed for mounting over recessed junction box. (by others).

VCK Cord Mounting standard length 72", other lengths available. Provided with 5 conductor cord to support 0-10V dimming. Cord color automatically selected to most closely match painted finish (White, Black or Gray).

For canopy details see Mounting Options Specification Sheet.

CYLINDER STYLES

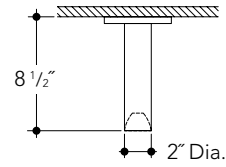
OPEN

Ceiling Mount 2" Aperture

VC208BLED Ceiling Mount 2"x8" Vertical LED

Distribution Options

- NW Narrow
- MD Medium

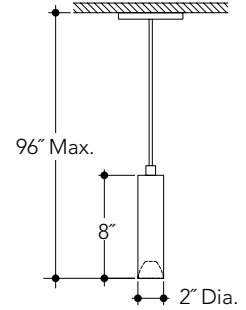


Pendant Mount 2" Aperture

VP208BLED Pendant Mount 2"x8" Vertical LED

Distribution Options

- NW Narrow
- MD Medium

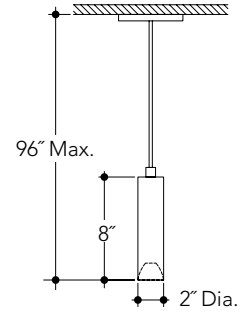


Cord Mount 2" Aperture

VCK208BLED Cord Mount 2"x8" Vertical LED

Distribution Options

- NW Narrow
- MD Medium

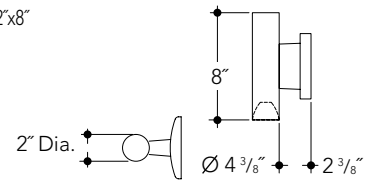


Wall Mount 2" Aperture

VW208BLED Wall Mount 2"x8" Vertical LED

Distribution Options

- NW Narrow
- MD Medium



Manufactured and Listed to UL 1598, ETL and CSA standards. Suitable for Damp Locations. Wet location under covered ceiling.

ORDERING INFORMATION

EXAMPLE: VCK208BLED-0730K-MD-CS-CK-96"

Wattage LED	Mounting	Series	Lumens	Kelvin	Distribution	Color	Options
See Chart Below	VC	208BLED	-07 = 700	27K = 2700K	NW	WHT	CK-(XX")
	VP		-13 = 1300	30K = 3000K	MD	BLK	HCR
	VCK			35K = 3500K		BZ	P-(XX")
	VW			40K = 4000K		CC	REM
						CS	TDM

Lumens	Wattage*
700	11.5
1300	16.4

*Actual Wattage/Lumens may vary.

Options

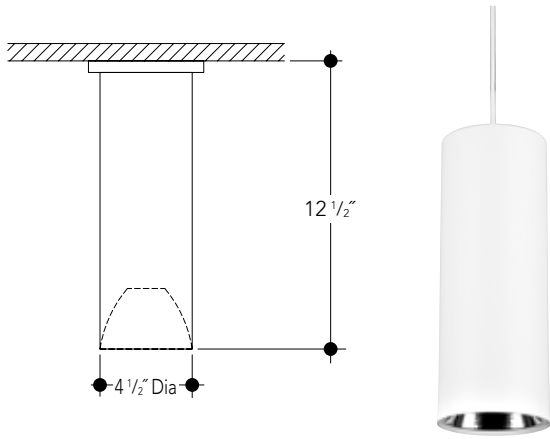
- CK-(XX") - Additional cord length (Specify Length)
- HCR - High Color Rendering - 90 CRI Min.
- P-(XX") - Additional Stem Length (Specify Length)

- REM - Remote Emergency Battery Backup
REM not available with the VCK (cord mounted)
- TDM - Triac/phase dimming to 20%

Vantage reserves the right to change components, finishes or design details in any manner which does not alter the installed appearance or reduce performance and intended function.

▲ See Options pages for other options and finishes.

DIMENSIONS



FEATURES

High Performance LED Array

A compact, high quality light LED array with industry leading efficiency of over 100 lumens per watt. With reduced thermal resistance and increased maximum allowable operating temperatures, Vantage Lighting mates these features with excellent thermal management techniques within the luminaire to provide unsurpassed life expectancy. Tight binning control ensures minimal color variation from source to source and lower operating temperatures minimize color shift over time. Available in a wide variety of color temperatures and in either an 80 minimum, or optional 90 minimum CRI. Offered standard with 0-10V dimming compatible driver and optional phase/Triac dimming driver available.

Features and Benefits

- Industry leading lumens per watt (efficacy).
- Wide range of standard color temperatures 2700-4000K.
- Color consistency with a maximum of a 3 step MacAdam ellipse.
- Standard 80 minimum CRI with optional 90 minimum CRI, R9 value of 50 minimum.
- 0-10V dimming driver to 10% of light output standard. Optional phase/Triac dimming driver to 20% of light output available.
- Minimum L₇₀ 50,000 hours in all configurations.
- All electronic components are covered by a 5 year warranty.

Cylinder

Housing is .064" thick spun aluminum cylinder. Polyester powdercoat exterior finish with factory standard colors White (WHT), Black (BLK), Bronze (BZ), Silver (CS).

VC Mounting - Ceiling mount over recessed octagonal or 4" square junction box (by others).

VP Mounting - Pendant mount with 1/4" IP x 12" long rigid stem and swivel canopy for mounting on sloped ceilings up to 45°. Custom length stems available.

VW Mounting - Wall mount bracket constructed of cast aluminum and designed for mounting over recessed junction box. (by others).

VCK Cord Mounting standard length 72", other lengths available. Provided with 5 conductor cord to support 0-10V dimming. Cord color automatically selected to most closely match painted finish (White, Black or Gray).

For canopy details see Mounting Options Specification Sheet.

CYLINDER STYLES

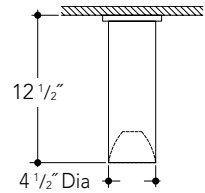
LENSED

Ceiling Mount 4" Aperture

VC412EBLED Ceiling Mount 4"x12" Vertical LED

Distribution Options

- NW Narrow
- MD Medium
- WE Wide

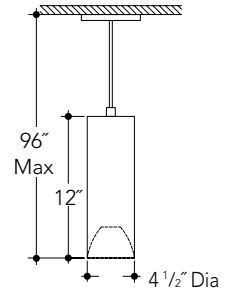


Pendant Mount 4" Aperture

VP412EBLED Pendant Mount 4"x12" Vertical LED

Distribution Options

- NW Narrow
- MD Medium
- WE Wide

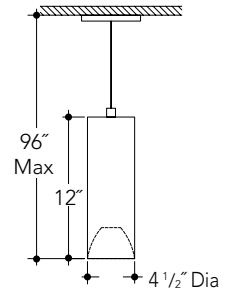


Cord Mount 4" Aperture

VCK412EBLED Cord Mount 4"x12" Vertical LED

Distribution Options

- NW Narrow
- MD Medium
- WE Wide

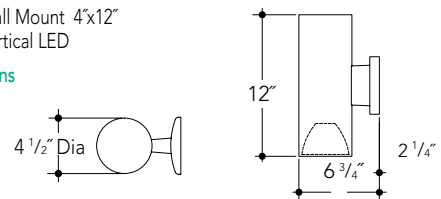


Wall Mount 4" Aperture

VW412EBLED Wall Mount 4"x12" Vertical LED

Distribution Options

- NW Narrow
- MD Medium
- WE Wide



Manufactured and Listed to UL 1598, ETL and CSA standards. Suitable for Damp Locations. Wet location under covered ceiling.

ORDERING INFORMATION

EXAMPLE: VP412EBLED-0740K-MD-BLK-HCR

Wattage LED	Mounting	Series	Lumens	Kelvin	Distribution	Color	Options
See Chart Below	VC	412EBLED	-07 = 700	27K = 2700K	NW	WHT	CK-(XX")
	VP		-13 = 1300	30K = 3000K	MD	BLK	HCR
	VCK		-20 = 2000	35K = 3500K	WE	BZ	P-(XX")
	VW			40K = 4000K		CC	REM
						CS	TDM

Lumens	Wattage*
700	11.5
1300	16.4
2000	27.6

*Actual Wattage/Lumens may vary.

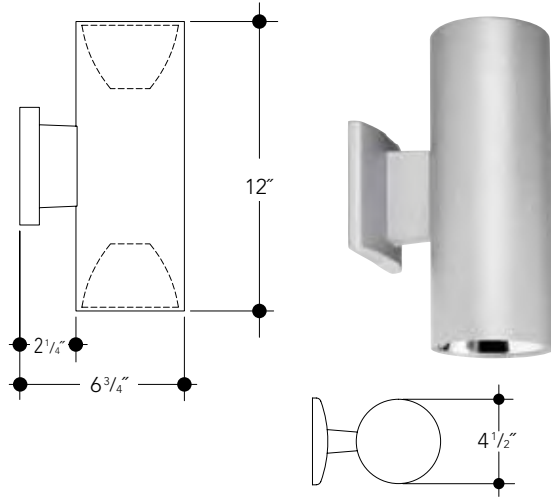
Options

- CK-(XX") - Additional cord length (Specify Length)
- HCR - High Color Rendering - 90 CRI Min.
- P-(XX") - Additional Stem Length (Specify Length)
- REM - Remote Emergency Battery Backup
REM not available with the VCK (cord mounted)
- TDM - Triac/phase dimming to 20%

Vantage reserves the right to change components, finishes or design details in any manner which does not alter the installed appearance or reduce performance and intended function.

▲ See Options pages for other options and finishes.

DIMENSIONS



CYLINDER STYLES

ENCLOSED

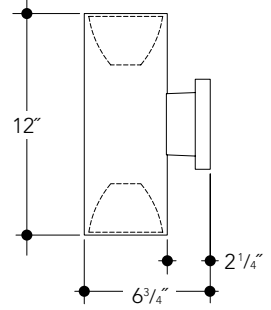
Wall Mount

4" Aperture

VW412EBLED Wall Mount 4"x12" Vertical LED

Distribution Options

- NW Narrow
- MD Medium
- WE Wide



FEATURES

High Performance LED Array

A compact, high quality light LED array with industry leading efficiency of over 100 lumens per watt. With reduced thermal resistance and increased maximum allowable operating temperatures, Vantage Lighting mates these features with excellent thermal management techniques within the luminaire to provide unsurpassed life expectancy. Tight binning control ensures minimal colorvariation from source to source and lower operating temperatures minimize color shift over time. Available in a wide variety of color temperatures and in either an 80 minimum, or optional 90 minimum CRI. Offered standard with 0-10V dimming compatible driver and optional phase/Triac dimming driver available.

Features and Benefits

- Industry leading lumens per watt (efficacy).
- Wide range of standard color temperatures 2700-4000K.
- Color consistency with a maximum of a 3 step MacAdam ellipse.
- Standard 80 minimum CRI with optional 90 minimum CRI, R9 value of 50 minimum.
- 0-10V dimming driver to 10% of light output standard. Optional phase/Triac dimming driver to 20% of light output available.
- Minimum L₇₀ 50,000 hours in all configurations.
- All electronic components are covered by a 5 year warranty.

Cylinder

Housing is .064" thick spun aluminum cylinder. Polyester powdercoat exterior finish with factory standard colors White (WHT), Black (BLK), Bronze (BZ), Silver (CS).

Reflector is injection molded polycarbonate with semi-specular finish. Choice of three symmetrical distribution patterns.

Uplight and downlight lenses are lightly frosted polycarbonate and mechanically retained in cast aluminum frame.

Wall Bracket is a cast aluminum construction.

For canopy details see Mounting Options Specification Sheet.



Manufactured and Listed to UL 1598, ETL and CSA standards. Suitable for Damp Locations. Wet location under covered ceiling.

ORDERING INFORMATION

EXAMPLE: VW412EBLED-0740K-MDU-0740K-MDD-BLK-HCR

Wattage LED	Mounting	Series	Lumens Up	Kelvin Up	Distribution Up	Lumens Down	Kelvin Up	Distribution Up	Color	Options
See Chart Below	VW	412EBLED	-07 = 700	27K = 2700K	NWU	-07 = 700	27K = 2700K	NWD	WHT	HCR
				30K = 3000K	MDU	-13 = 1300	30K = 3000K	MDD	BLK	REM
				35K = 3500K	WEU		35K = 3500K	WED	BZ	TDM
				40K = 4000K			40K = 4000K		CC	
									CS	

Lumens	Wattage*
700	11.5
1300	16.4

*Actual Wattage/Lumens may vary.

* For total luminaire wattage consumption add up and down wattage.

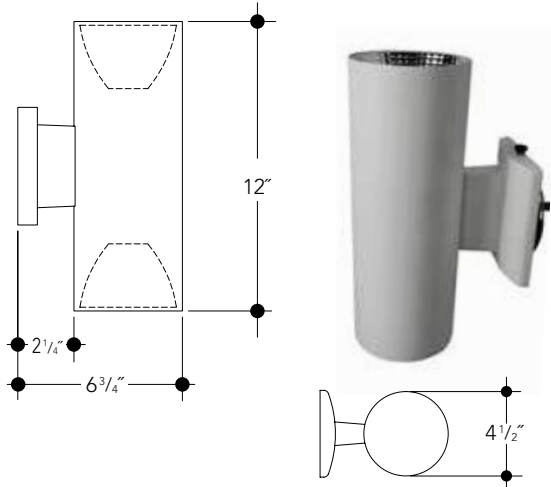
Vantage reserves the right to change components, finishes or design details in any manner which does not alter the installed appearance or reduce performance and intended function.

▲ See Options pages for other options and finishes.

Options

- HCR - High Color Rendering - 90 CRI Min.
- REM - Remote Emergency Battery Backup
- TDM - Triac/phase dimming to 20%

DIMENSIONS



CYLINDER STYLES

OPEN

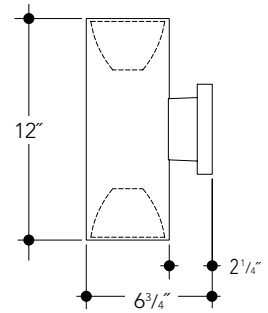
Wall Mount

4" Aperture

VW412OBLED Wall Mount 4"x12"
Vertical LED

Distribution Options

- NW Narrow
- MD Medium
- WE Wide



FEATURES

High Performance LED Array

A compact, high quality light LED array with industry leading efficiency of over 100 lumens per watt. With reduced thermal resistance and increased maximum allowable operating temperatures, Vantage Lighting mates these features with excellent thermal management techniques within the luminaire to provide unsurpassed life expectancy. Tight binning control ensures minimal colorvariation from source to source and lower operating temperatures minimize color shift over time. Available in a wide variety of color temperatures and in either an 80 minimum, or optional 90 minimum CRI. Offered standard with 0-10V dimming compatible driver and optional phase/Triac dimming driver available.

Features and Benefits

- Industry leading lumens per watt (efficacy).
- Wide range of standard color temperatures 2700-4000K.
- Color consistency with a maximum of a 3 step MacAdam ellipse.
- Standard 80 minimum CRI with optional 90 minimum CRI, R9 value of 50 minimum.
- 0-10V dimming driver to 10% of light output standard. Optional phase/Triac dimming driver to 20% of light output available.
- Minimum L₇₀ 50,000 hours in all configurations.
- All electronic components are covered by a 5 year warranty.

Cylinder

Housing is .064" thick spun aluminum cylinder. Polyester powdercoat exterior finish with factory standard colors White (WHT), Black (BLK), Bronze (BZ), Silver (CS).

Reflector is injection molded polycarbonate with semi-specular finish. Choice of three symmetrical distribution patterns.

Uplight lens is lightly frosted polycarbonate and mechanically retained in cast aluminum frame.

Wall Bracket is a cast aluminum construction.

For canopy details see Mounting Options Specification Sheet.



Manufactured and Listed to UL 1598, ETL and CSA standards. Suitable for Damp Locations. Wet location under covered ceiling.

ORDERING INFORMATION

EXAMPLE: VW412OBLED-0740K-MDU-0740K-MDD-BLK-HCR

Wattage LED	Mounting	Series	Lumens Up	Kelvin Up	Distribution Up	Lumens Down	Kelvin Down	Distribution Down	Color	Options
See Chart Below	VW	412OBLED	-07 = 700	27K = 2700K 30K = 3000K 35K = 3500K 40K = 4000K	NWU MDU WEU	-07 = 700 -13 = 1300	27K = 2700K 30K = 3000K 35K = 3500K 40K = 4000K	NWD MDD WED	WHT BLK BZ CC CS	HCR REM TDM

Lumens	Wattage*
700	11.5
1300	16.4

*Actual Wattage/Lumens may vary.

* For total luminaire wattage consumption add up and down wattage.

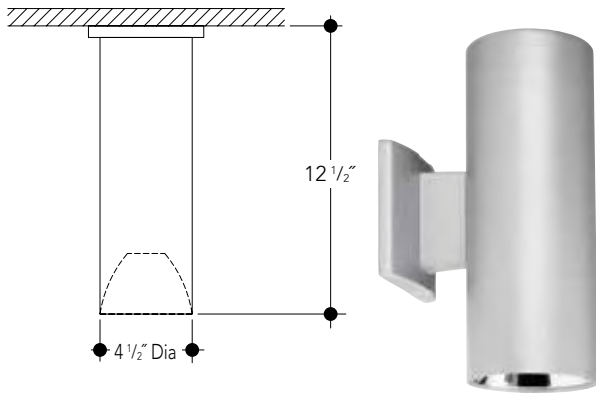
Vantage reserves the right to change components, finishes or design details in any manner which does not alter the installed appearance or reduce performance and intended function.

Options

- HCR - High Color Rendering - 90 CRI Min.
- REM - Remote Emergency Battery Backup
- TDM - Triac/phase dimming to 20% (Operation downward only)

▲ See Options pages for other options and finishes.

DIMENSIONS



FEATURES

High Performance LED Array

A compact, high quality light LED array with industry leading efficiency of over 100 lumens per watt. With reduced thermal resistance and increased maximum allowable operating temperatures, Vantage Lighting mates these features with excellent thermal management techniques within the luminaire to provide unsurpassed life expectancy. Tight binning control ensures minimal color variation from source to source and lower operating temperatures minimize color shift over time. Available in a wide variety of color temperatures and in either an 80 minimum, or optional 90 minimum CRI. Offered standard with 0-10V dimming compatible driver and optional phase/Triac dimming driver available.

Features and Benefits

- Industry leading lumens per watt (efficacy).
- Wide range of standard color temperatures 2700-4000K.
- Color consistency with a maximum of a 3 step MacAdam ellipse.
- Standard 80 minimum CRI with optional 90 minimum CRI, R9 value of 50 minimum.
- 0-10V dimming driver to 10% of light output standard. Optional phase/Triac dimming driver to 20% of light output available.
- Minimum L₇₀ 50,000 hours in all configurations.
- All electronic components are covered by a 5 year warranty.

Cylinder

Housing is .064" thick spun aluminum cylinder. Polyester powdercoat exterior finish with factory standard colors White (WHT), Black (BLK), Bronze (BZ), Silver (CS).

VC Mounting - Ceiling mount over recessed octagonal or 4" square junction box (by others).

VP Mounting - Pendant mount with 1/4" IP x 12" long rigid stem and swivel canopy for mounting on sloped ceilings up to 45°. Custom length stems available.

VW Mounting - Wall mount bracket constructed of cast aluminum and designed for mounting over recessed junction box. (by others).

VCK Cord Mounting standard length 72", other lengths available. Provided with 5 conductor cord to support 0-10V dimming. Cord color automatically selected to most closely match painted finish (White, Black or Gray).

For canopy details see Mounting Options Specification Sheet.

CYLINDER STYLES

OPEN

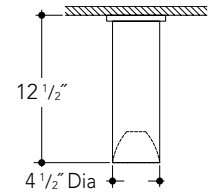
Ceiling Mount

4" Aperture

VC412OBLED Ceiling Mount 4"x12"
Vertical LED

Distribution Options

- NW Narrow
- MD Medium
- WE Wide



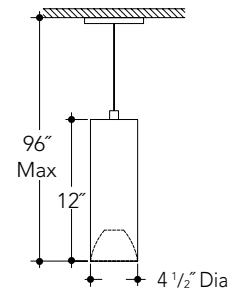
Pendant Mount

4" Aperture

VP412OBLED Pendant Mount 4"x12"
Vertical LED

Distribution Options

- NW Narrow
- MD Medium
- WE Wide



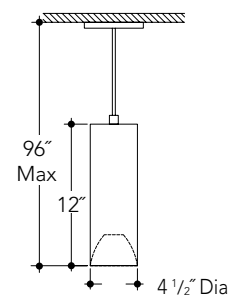
Cord Mount

4" Aperture

VCK412OBLED Wall Mount 4"x12"
Vertical LED

Distribution Options

- NW Narrow
- MD Medium
- WE Wide



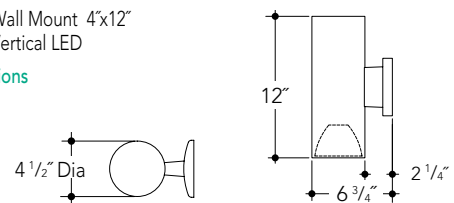
Wall Mount

4" Aperture

VW412OBLED Wall Mount 4"x12"
Vertical LED

Distribution Options

- NW Narrow
- MD Medium
- WE Wide



Manufactured and Listed to UL 1598, ETL and CSA standards.
Suitable for Damp Locations. Wet location under covered ceiling.

ORDERING INFORMATION

EXAMPLE: VP412OBLED-1335K-WE-WHT-TDM

Wattage LED	Mounting	Series	Lumens	Kelvin	Distribution	Color	Options
See Chart Below	VC	412OBLED	-07 = 700	27K = 2700K	NW	WHT	CK-(XX")
	VP		-13 = 1300	30K = 3000K	MD	BLK	HCR
	VCK		-20 = 2000	35K = 3500K	WE	BZ	P-(XX")
	VW			40K = 4000K		CC	REM
						CS	TDM

Lumens	Wattage*
700	11.5
1300	16.4
2000	27.6

*Actual Wattage/Lumens may vary.

Options

- CK-(XX") - Additional cord length (Specify Length)
- HCR - High Color Rendering - 90 CRI Min.
- P-(XX") - Additional Stem Length (Specify Length)

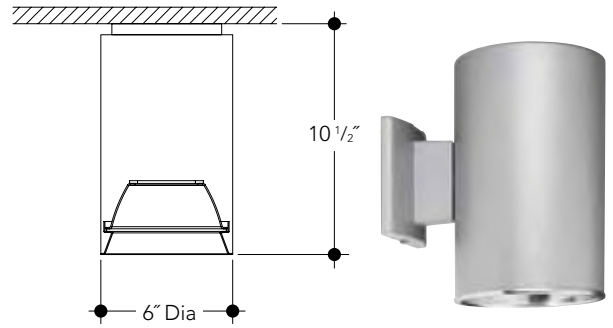
- REM - Remote Emergency Battery Backup
REM not available with the VCK (cord mounted)
- TDM - Triac/phase dimming to 20%

Vantage reserves the right to change components, finishes or design details in any manner which does not alter the installed appearance or reduce performance and intended function.

▲ See Options pages for other options and finishes.

Project Name: _____ Type: _____

DIMENSIONS



FEATURES

Fortimo LED DLM Flex Systems

New Fortimo LED Downlight Module (DLM) Flex systems now provide the latest advances, including high quality LED options to satisfy both functional and performance requirements along with excellent energy efficiency and color consistency. For practical and general lighting applications, the Fortimo LED DLM Flex Module is an excellent solution. Its direct white mid-power LED technology combines high light quality and energy efficiency levels over 100 Lm/W, offering superior price/performance along with low maintenance costs and a long lifetime of 50,000 hours. Four lumen packages are available: 1100, 1500, 2000 and 3000.

Features and Benefits

- High energy efficiency system up to 107 lm/W.
- Wide range of lumen packages from 1100-3000 lumens.
- High quality of light with CRI 80 and 3 SDCM color consistency.
- Philips Xitanium driver features internal thermal protection and 0-10V dimming to 1% of lumen output.
- Input volts 120-277V.
- Minimum 50,000 hours of life at L₇₀ standard.
- Smart systems with Philips Advance Xitanium drivers.
- 5 year warranty on LED module and driver.
- Wide variety of lensing options.

Cylinder

Housing is .064" thick spun aluminum cylinder. Polyester powdercoat exterior finish with factory standard colors White (WHT), Black (BLK), Bronze (BZ), Silver (CS).

VC Mounting - Ceiling mount over recessed octagonal or 4" square junction box (by others).

VP Mounting - Pendant mount with 3/8" IP x 12" long rigid stem and swivel canopy for mounting on sloped ceilings up to 45°. Custom length stems available.

VW Mounting - Wall mount bracket constructed of cast aluminum and designed for mounting over recessed junction box. (by others).

CCK Cord and Cable Mounting kits available, standard length 72", other lengths available. Provided with 5 conductor cord to support 0-10V dimming.

CYLINDER STYLES

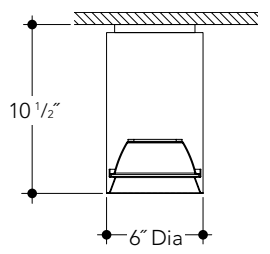
LENSED

Ceiling Mount 6" Aperture

VC610PLED Ceiling Mount 6"x10" Vertical LED

Finish Options

- SCL Specular Clear "Alzak"
- SGC Soft Glow Clear
- ECL Etch Clear
- WHT White Reflector

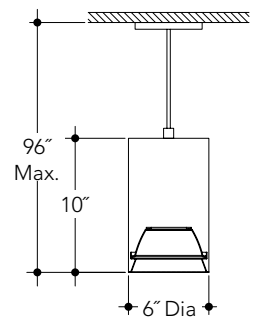


Pendant Mount 6" Aperture

VP610PLED Pendant Mount 6"x10" Vertical LED

Finish Options

- SCL Specular Clear "Alzak"
- SGC Soft Glow Clear
- ECL Etch Clear
- WHT White Reflector

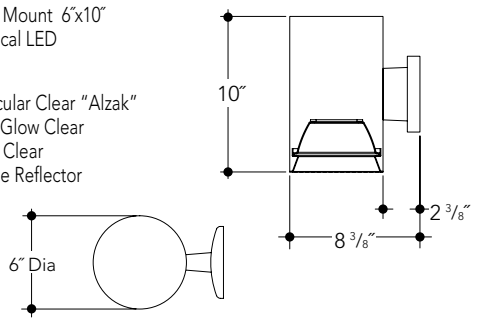


Wall Mount 6" Aperture

VW610PLED Wall Mount 6"x10" Vertical LED

Finish Options

- SCL Specular Clear "Alzak"
- SGC Soft Glow Clear
- ECL Etch Clear
- WHT White Reflector



ORDERING INFORMATION

EXAMPLE: VC610PLED-2030K-L6011FR-WHT-REM

Wattage LED	Mounting	Series	Lumens	Kelvin	Reflector	Lens	Color	Finish	Baffle Color	Options
See Chart	VC	610PLED	-11 = 1100	27K = 2700K	L601(X)	1	WHT	SCL	WHT	CCK-(XX")
Below	VP		-15 = 1500	30K = 3000K	L602(X)	1P	BLK	SGC	BLK	P-(XX")
			-20 = 2000	35K = 3500K		1FR	BZ	ECL		REM
			-30 = 3000	40K = 4000K		4	CC	WHT		TDM
						4P	CS			
						2D				
						4D				
						6D				
						8D				

Lumens	Wattage*
1100-40K	13.8
1100-27K	14.7
1500-40K	18.8
1500-27K	20.1
2000-40K	25.2
2000-27K	26.4
3000-40K	35.8
3000-27K	37.1

*Actual Wattage/Lumens may vary.

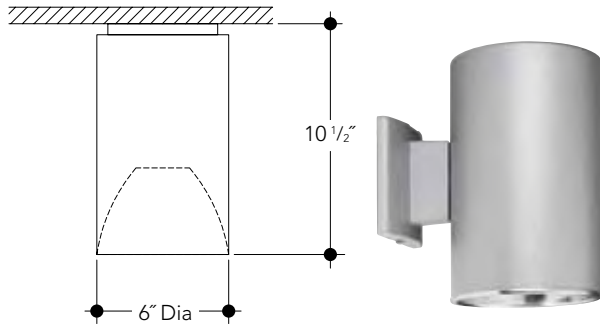
Reflector	Lens	Special Optics	Options
L601(X) Alzak or Painted Splay	1 Clear Glass	2D - Optical Diffuser-20°	CCK-(XX") - Cord and Cable Mounting Kit
L602(X) Baffled Splay	1P Clear Polycarbonate	4D - Optical Diffuser-40°	P-(XX") - Additional Stem Length (Specify Length)
	1FR Frosted	6D - Optical Diffuser-60°	
	4 Prismatic Glass	8D - Optical Diffuser-80°	
	4P Prismatic Acrylic		

Manufactured and Listed to UL 1598, ETL and CSA standards. Suitable for Damp Locations. Wet location under covered ceiling.

Vantage reserves the right to change components, finishes or design details in any manner which does not alter the installed appearance or reduce performance and intended function.

▲ See Options pages for other options and finishes.

DIMENSIONS



FEATURES

Fortimo LED DLM Flex Systems

New Fortimo LED Downlight Module (DLM) Flex systems now provide the latest advances, including high quality LED options to satisfy both functional and performance requirements along with excellent energy efficiency and color consistency. For practical and general lighting applications, the Fortimo LED DLM Flex Module is an excellent solution.

Its direct white mid-power LED technology combines high light quality and energy efficiency levels over 100 Lm/W, offering superior price/performance along with low maintenance costs and a long lifetime of 50,000 hours. Four lumen packages are available: 1100, 1500, 2000 and 3000.

Features and Benefits

- High energy efficiency system up to 107 lm/W.
- Wide range of lumen packages from 1100-3000 lumens.
- High quality of light with CRI 80 and 3 SDCM color consistency.
- Philips Xitanium driver features internal thermal protection and 0-10V dimming to 1% of lumen output.
- Input volts 120-277V.
- Minimum 50,000 hours of life at L₇₀ standard.
- Smart systems with Philips Advance Xitanium drivers.
- 5 year warranty on LED module and driver.

Cylinder

Housing is .064" thick spun aluminum cylinder. Polyester powdercoat exterior finish with factory standard colors White (WHT), Black (BLK), Bronze (BZ), Silver (CS).

VC Mounting - Ceiling mount over recessed octagonal or 4" square junction box (by others).

VP Mounting - Pendant mount with 3/8" IP x 12" long rigid stem and swivel canopy for mounting on sloped ceilings up to 45°. Custom length stems available.

VW Mounting - Wall mount bracket constructed of cast aluminum and designed for mounting over recessed junction box. (by others).

CCK Cord and Cable Mounting kits available, standard length 72", other lengths available. Provided with 5 conductor cord to support 0-10V dimming.

CYLINDER STYLES

OPEN

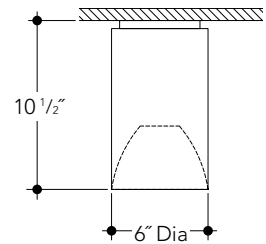
Ceiling Mount

6" Aperture

VC610PLED Ceiling Mount 6"x10"
Vertical LED

Finish Options

SCL Specular Clear "Alzak"
SGC Soft Glow Clear
ECL Etch Clear
WHT White Reflector



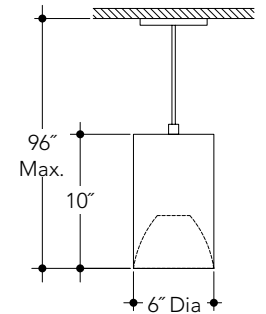
Pendant Mount

6" Aperture

VP610PLED Pendant Mount 6"x10"
Vertical LED

Finish Options

SCL Specular Clear "Alzak"
SGC Soft Glow Clear
ECL Etch Clear
WHT White Reflector



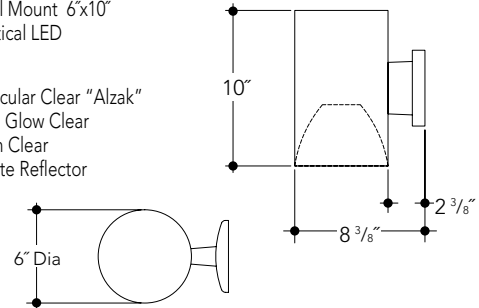
Wall Mount

6" Aperture

VW610PLED Wall Mount 6"x10"
Vertical LED

Finish Options

SCL Specular Clear "Alzak"
SGC Soft Glow Clear
ECL Etch Clear
WHT White Reflector



Manufactured and Listed to UL 1598, ETL and CSA standards.
Suitable for Damp Locations. Wet location under covered ceiling.

ORDERING INFORMATION

EXAMPLE: VC610PLED-2030K-CS-WHT-REM

Wattage LED	Mounting	Series	Lumens	Kelvin	Color	Finish	Options
See Chart Below	VC	610PLED	-11 = 1100	27K = 2700K	WHT	SCL	CCK-(XX")
	VP		-15 = 1500	30K = 3000K	BLK	SGC	P-(XX")
	VW		-20 = 2000	35K = 3500K	BZ	ECL	REM
			-30 = 3000	40K = 4000K	CC	WHT	TDM
					CS		

Lumens	Wattage*
1100-40K	13.8
1100-27K	14.7
1500-40K	18.8
1500-27K	20.1
2000-40K	25.2
2000-27K	26.4
3000-40K	35.8
3000-27K	37.1

*Actual Wattage/Lumens may vary.

Options

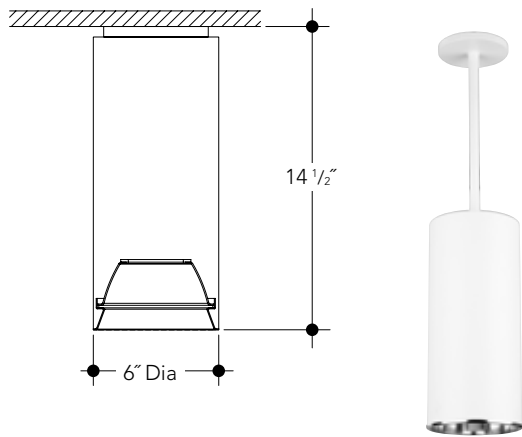
CCK-(XX") - Cord and Cable Mounting Kit
P-(XX") - Additional Stem Length
(Specify Length)

REM - Remote Emergency Battery Backup
REM not available with the CCK
(cord & cable kits)
TDM - Triac/phase dimming to 20%

Vantage reserves the right to change components, finishes or design details in any manner which does not alter the installed appearance or reduce performance and intended function.

▲ See Options pages for other options and finishes.

DIMENSIONS



FEATURES

Fortimo LED DLM Flex Systems

New Fortimo LED Downlight Module (DLM) Flex systems now provide the latest advances, including high quality LED options to satisfy both functional and performance requirements along with excellent energy efficiency and color consistency. For practical and general lighting applications, the Fortimo LED DLM Flex Module is an excellent solution.

Its direct white mid-power LED technology combines high light quality and energy efficiency levels over 100 Lm/W, offering superior price/performance along with low maintenance costs and a long lifetime of 50,000 hours. Six lumen packages are available: 1100, 1500, 2000, 3000, 4000 and 5000.

Features and Benefits

- High energy efficiency system up to 107 lm/W.
- Wide range of lumen packages from 1100-5000 lm.
- High quality of light with CRI 80 and 3 SDCM color consistency.
- Philips Xitanium driver features internal thermal protection and 0-10V dimming to 1% of lumen output.
- Input volts 120-277V.
- Minimum 50,000 hours of life at L₇₀ standard.
- Smart systems with Philips Advance Xitanium drivers.
- 5 year warranty on LED module and driver.
- Wide variety of lensing options.

Cylinder

Housing is .064" thick spun aluminum cylinder. Polyester powdercoat exterior finish with factory standard colors White (WHT), Black (BLK), Bronze (BZ), Silver (CS).

VC Mounting - Ceiling mount over recessed octagonal or 4" square junction box (by others).

VP Mounting - Pendant mount with 3/8" IP x 12" long rigid stem and swivel canopy for mounting on sloped ceilings up to 45°. Custom length stems available.

VW Mounting - Wall mount bracket constructed of cast aluminum and designed for mounting over recessed junction box. (by others).

CCK Cord and Cable Mounting kits available, standard length 72", other lengths available. Provided with 5 conductor cord to support 0-10V dimming.

CYLINDER STYLES

LENSED

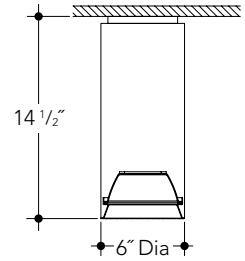
Ceiling Mount

6" Aperture

VC614PLED Ceiling Mount 6"x14" Vertical LED

Finish Options

- SCL Specular Clear "Alzak"
- SGC Soft Glow Clear
- ECL Etch Clear
- WHT White Reflector



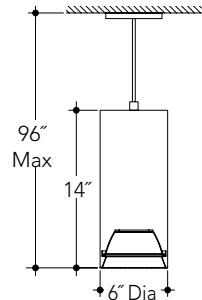
Pendant Mount

6" Aperture

VP614PLED Pendant Mount 6"x14" Vertical LED

Finish Options

- SCL Specular Clear "Alzak"
- SGC Soft Glow Clear
- ECL Etch Clear
- WHT White Reflector



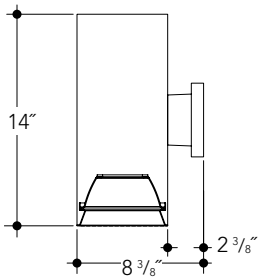
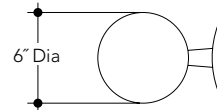
Wall Mount

6" Aperture

VW614PLED Wall Mount 6"x14" Vertical LED

Finish Options

- SCL Specular Clear "Alzak"
- SGC Soft Glow Clear
- ECL Etch Clear
- WHT White Reflector



Manufactured and Listed to UL 1598, ETL and CSA standards. Suitable for Damp Locations. Wet location under covered ceiling.

ORDERING INFORMATION

EXAMPLE: VP614PLED-2030K-L6011FR-CS-SGC-P-36"

Wattage LED	Mounting	Series	Lumens	Kelvin	Reflector	Lens	Color	Finish	Baffle Color	Options
See Chart	VC	614PLED	-11 = 1100	27K = 2700K	L601(X)	1	WHT	SCL	WHT	CCK-(XX")
Below	VP		-15 = 1500	30K = 3000K	L602(X)	1P	BLK	SGC	BLK	P-(XX")
			-20 = 2000	35K = 3500K		1FR	BZ	ECL		REM
			-30 = 3000	40K = 4000K		4	CC	WHT		TDM
			-40 = 4000			4P	CS			
			-50 = 5000			2D				
									8D	

Lumens	Wattage*
1100-40K	13.8
1100-27K	14.7
1500-40K	18.8
1500-27K	20.1
2000-40K	25.2
2000-27K	26.4
3000-40K	35.8
3000-27K	37.1
4000-40K	51.0
4000-27K	52.3
5000-40K	56.0
5000-27K	57.4

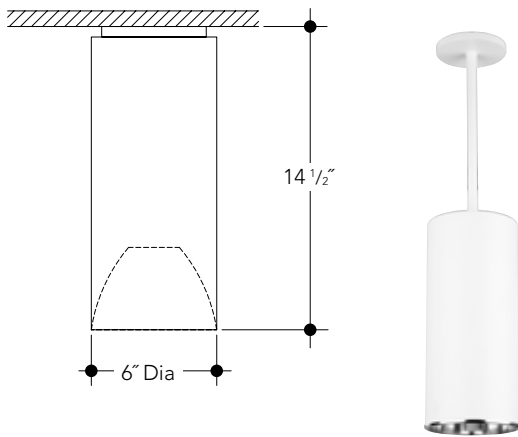
Reflector	Lens	Special Optics	Options
L601(X) Alzak or Painted Splay	1 Clear Glass	2D - Optical Diffuser-20°	CCK-(XX") - Cord and Cable Mounting Kit
L602(X) Baffled Splay	1P Clear Polycarbonate	4D - Optical Diffuser-40°	P-(XX") - Additional Stem Length (Specify Length)
	1FR Frosted	6D - Optical Diffuser-60°	
	4 Prismatic Glass	8D - Optical Diffuser-80°	
	4P Prismatic Acrylic		

Options
REM - Remote Emergency Battery Backup
REM not available with the CCK (cord & cable kits)
TDM - Triac/phase dimming to 20%

Vantage reserves the right to change components, finishes or design details in any manner which does not alter the installed appearance or reduce performance and intended function.

▲ See Options pages for other options and finishes.

DIMENSIONS



FEATURES

Fortimo LED DLM Flex Systems

New Fortimo LED Downlight Module (DLM) Flex systems now provide the latest advances, including high quality LED options to satisfy both functional and performance requirements along with excellent energy efficiency and color consistency. For practical and general lighting applications, the Fortimo LED DLM Flex Module is an excellent solution.

Its direct white mid-power LED technology combines high light quality and energy efficiency levels over 100 Lm/W, offering superior price/performance along with low maintenance costs and a long lifetime of 50,000 hours. Six lumen packages are available: 1100, 1500, 2000, 3000, 4000 and 5000.

Features and Benefits

- High energy efficiency system up to 107 lm/W.
- Wide range of lumen packages from 1100-5000 lm.
- High quality of light with CRI 80 and 3 SDCM color consistency.
- Philips Xitanium driver features internal thermal protection and 0-10V dimming to 1% of lumen output.
- Input volts 120-277V.
- Minimum 50,000 hours of life at L₇₀ standard.
- Smart systems with Philips Advance Xitanium drivers.
- 5 year warranty on LED module and driver.

Cylinder

Housing is .064" thick spun aluminum cylinder. Polyester powdercoat exterior finish with factory standard colors White (WHT), Black (BLK), Bronze (BZ), Silver (CS).

VC Mounting - Ceiling mount over recessed octagonal or 4" square junction box (by others).

VP Mounting - Pendant mount with 3/8" IP x 12" long rigid stem and swivel canopy for mounting on sloped ceilings up to 45°. Custom length stems available.

VW Mounting - Wall mount bracket constructed of cast aluminum and designed for mounting over recessed junction box. (by others).

CCK Cord and Cable Mounting kits available, standard length 72", other lengths available. Provided with 5 conductor cord to support 0-10V dimming.

CYLINDER STYLES

OPEN

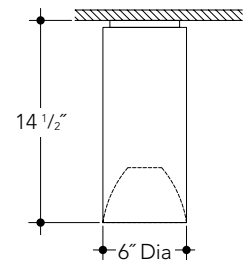
Ceiling Mount

6" Aperture

VC614PLED Ceiling Mount 6"x14" Vertical LED

Finish Options

SCL Specular Clear "Alzak"
 SGC Soft Glow Clear
 ECL Etch Clear
 WHT White Reflector



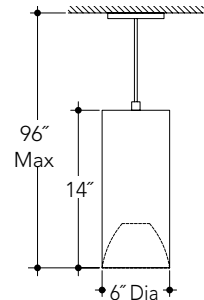
Pendant Mount

6" Aperture

VP614PLED Pendant Mount 6"x14" Vertical LED

Finish Options

SCL Specular Clear "Alzak"
 SGC Soft Glow Clear
 ECL Etch Clear
 WHT White Reflector



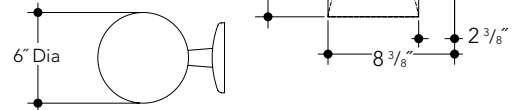
Wall Mount

6" Aperture

VW614PLED Wall Mount 6"x14" Vertical LED

Finish Options

SCL Specular Clear "Alzak"
 SGC Soft Glow Clear
 ECL Etch Clear
 WHT White Reflector



Manufactured and Listed to UL 1598, ETL and CSA standards.
 Suitable for Damp Locations. Wet location under covered ceiling.

ORDERING INFORMATION

EXAMPLE: VP614PLED-2030K-CS-SGC-P-36"

Wattage LED	Mounting	Series	Lumens	Kelvin	Color	Finish	Options
See Chart Below	VC	614PLED	-11 = 1100	27K = 2700K	WHT	SCL	CCK-(XX")
	VP		-15 = 1500	30K = 3000K	BLK	SGC	P-(XX")
	WV		-20 = 2000	35K = 3500K	BZ	ECL	REM
			-30 = 3000	40K = 4000K	CC	WHT	TDM
			-40 = 4000		CS		
			-50 = 5000				

Lumens	Wattage*
1100-40K	13.8
1100-27K	14.7
1500-40K	18.8
1500-27K	20.1
2000-40K	25.2
2000-27K	26.4
3000-40K	35.8
3000-27K	37.1
4000-40K	51.0
4000-27K	52.3
5000-40K	56.0
5000-27K	57.4

*Actual Wattage/Lumens may vary.

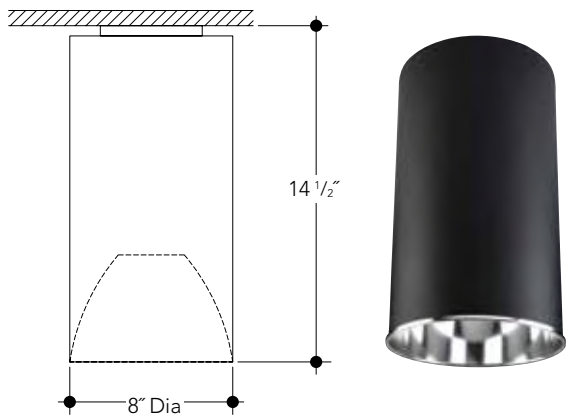
Options

- CCK-(XX") - Cord and Cable Mounting Kit
- P-(XX") - Additional Stem Length (Specify Length)
- REM - Remote Emergency Battery Backup
- REM not available with the CCK (cord & cable kits)
- TDM - Triac/phase dimming to 20%

Vantage reserves the right to change components, finishes or design details in any manner which does not alter the installed appearance or reduce performance and intended function.

▲ See Options pages for other options and finishes.

DIMENSIONS



FEATURES

Fortimo LED DLM Flex Systems

New Fortimo LED Downlight Module (DLM) Flex systems now provide the latest advances, including high quality LED options to satisfy both functional and performance requirements along with excellent energy efficiency and color consistency. For practical and general lighting applications, the Fortimo LED DLM Flex Module is an excellent solution.

Its direct white mid-power LED technology combines high light quality and energy efficiency levels over 100 Lm/W, offering superior price/performance along with low maintenance costs and a long lifetime of 50,000 hours. Six lumen packages are available: 1100, 1500, 2000, 3000, 4000 and 5000.

Features and Benefits

- High energy efficiency system up to 107 lm/W.
- Wide range of lumen packages from 1100-5000 lm.
- High quality of light with CRI 80 and 3 SDCM color consistency.
- Philips Xitanium driver features internal thermal protection and 0-10V dimming to 1% of lumen output.
- Input volts 120-277V.
- Minimum 50,000 hours of life at L₇₀ standard.
- Smart systems with Philips Advance Xitanium drivers.
- 5 year warranty on LED module and driver.

Cylinder

Housing is .064" thick spun aluminum cylinder. Polyester powdercoat exterior finish with factory standard colors White (WHT), Black (BLK), Bronze (BZ), Silver (CS).

VC Mounting - Ceiling mount over recessed octagonal or 4" square junction box (by others).

VP Mounting - Pendant mount with 3/8" IP x 12" long rigid stem and swivel canopy for mounting on sloped ceilings up to 45°. Custom length stems available.

VW Mounting - Wall mount bracket constructed of cast aluminum and designed for mounting over recessed junction box. (by others).

CCK Cord and Cable Mounting kits available, standard length 72", other lengths available. Provided with 5 conductor cord to support 0-10V dimming.

CYLINDER STYLES

OPEN

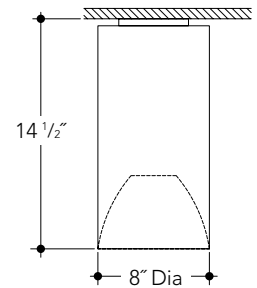
Ceiling Mount

8" Aperture

VC814PLED Ceiling Mount 8"x14" Vertical LED

Finish Options

SCL Specular Clear "Alzak"
 SGC Soft Glow Clear
 ECL Etch Clear
 WHT White Reflector



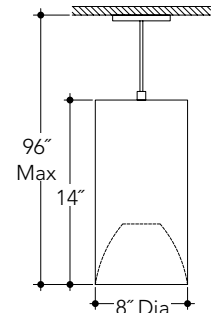
Pendant Mount

8" Aperture

VP814PLED Pendant Mount 8"x14" Vertical LED

Finish Options

SCL Specular Clear "Alzak"
 SGC Soft Glow Clear
 ECL Etch Clear
 WHT White Reflector



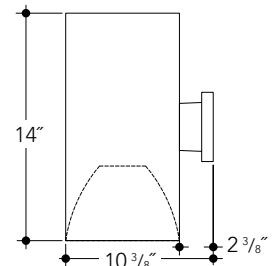
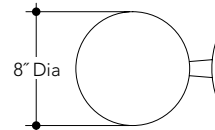
Wall Mount

8" Aperture

VW814PLED Wall Mount 8"x14" Vertical LED

Finish Options

SCL Specular Clear "Alzak"
 SGC Soft Glow Clear
 ECL Etch Clear
 WHT White Reflector



Manufactured and Listed to UL 1598, ETL and CSA standards.
 Suitable for Damp Locations. Wet location under covered ceiling.

ORDERING INFORMATION

EXAMPLE: VC814PLED-1530K-WHT-ECL-CCK-36"

Wattage LED	Mounting	Series	Lumens	Kelvin	Color	Finish	Options
See Chart Below	VC	814PLED	-11 = 1100	27K = 2700K	WHT	SCL	CCK-(XX")
	VP		-15 = 1500	30K = 3000K	BLK	SGC	P-(XX")
	WV		-20 = 2000	35K = 3500K	BZ	ECL	REM
			-30 = 3000	40K = 4000K	CC	WHT	TDM
			-40 = 4000		CS		
			-50 = 5000				

Lumens	Wattage*
1100-40K	13.8
1100-27K	14.7
1500-40K	18.8
1500-27K	20.1
2000-40K	25.2
2000-27K	26.4
3000-40K	35.8
3000-27K	37.1
4000-40K	51.0
4000-27K	52.3
5000-40K	56.0
5000-27K	57.4

*Actual Wattage/Lumens may vary.

Options

- CCK-(XX") - Cord and Cable Mounting Kit
- P-(XX") - Additional Stem Length (Specify Length)
- REM - Remote Emergency Battery Backup
- REM not available with the CCK (cord & cable kits)
- TDM - Triac/phase dimming to 20%

Vantage reserves the right to change components, finishes or design details in any manner which does not alter the installed appearance or reduce performance and intended function.

▲ See Options pages for other options and finishes.



181 Narragansett Park Drive
East Providence, RI 02916

To Whom It May Concern,

Vantage Lighting's Capela™ Series, F-class, X-Class, and C-Class round fixtures; its high lumen fixtures, its fluorescent recessed fixtures; and its cylinders, high-bays and low-bays all meet the "Buy America" requirements (41 U.S.C. 8301-8305). All of these Vantage fixtures are 'US made' consistent with the requirements of these programs.

Please note any specific 'Made in America' requirements on orders. If you have any questions, please contact Vantage Lighting.

Sincerely,

A handwritten signature in black ink that reads 'Steven B. Kaufman'.

Steven B. Kaufman

CEO