



AirLink™  
Controlled Lighting.



Advanced Wireless Technology. Smart and Simple.



## AirLink™ Controlled Lighting

Compatible with:



LSI AirLink™ is a new family of controlled LED luminaires featuring integrated Lutron® Clear Connect™ Wireless Technology for new construction and retrofit applications, including use in a variety of buildings and infrastructures.

Integrated motion and light level sensors ensure maximum energy savings, quality and comfort, while wireless controls enable occupants to easily operate individual or groups of fixtures.

AirLink™ boasts easy and fast installation, quick setup and can be used to meet stringent energy code requirements and support LEED certification.

### Easy Install & Setup

With light and motion sensors built into each lighting fixture - and no control wiring - installation time is reduced by up to 90% compared to wired controlled

systems. And setup - through a handheld laser pointer - is accomplished in just seconds.

### Substantial Energy Savings

Combining high performance LED technology with integral sensors and controls delivers critical energy savings of 60% or more through the use of advanced sensors - occupancy sensing, daylight harvesting, high-end trim - and wireless dimming controls.

### Achieve Code Compliance & More

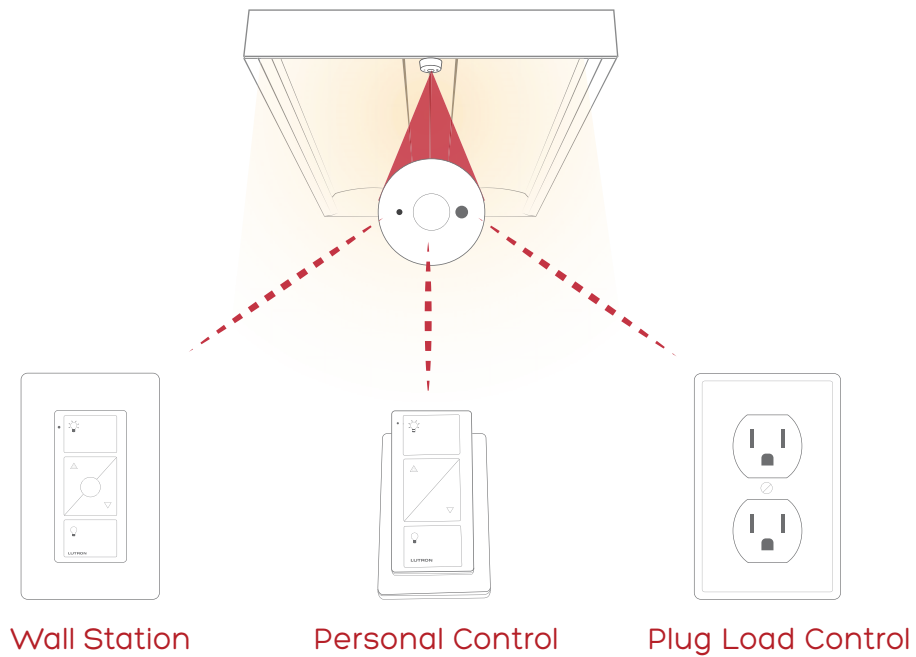
AirLink™ can also:

- Be used to meet LEED certification
- Meet plug load requirements with optional plug load controller
- Meet requirements for smart fixture utility rebates



AirLink™ will initially be available in a variety of troffers, designed for both new construction and retrofits in commercial office spaces, education facilities, hospitals, retail environments and more.

### An Advanced Lighting System



[www.lsi-industries.com](http://www.lsi-industries.com)



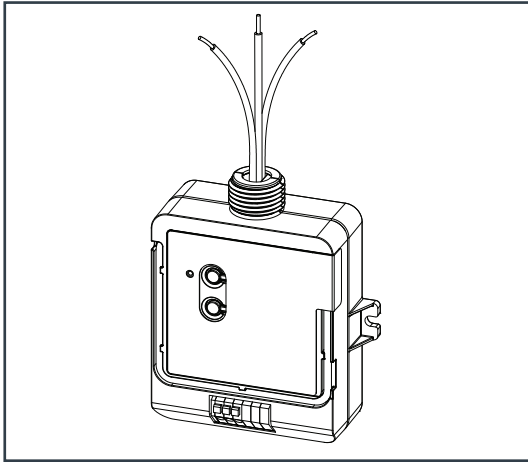
10000 Alliance Road  
Cincinnati, Ohio 45242

Phone 513.793.3200  
Fax 513.793.0147



©2016 LSI Industries Inc.  
Printed in U.S.A.  
05/2016 5265

# AIRLINK™ 16AMP POWERPACK (AL-16A-PP)



## APPLICATIONS

- Small offices
- Conference rooms
- Lounges
- Classrooms

## SPECIFICATIONS

ELECTRICAL							
Regulatory Approvals	<ul style="list-style-type: none"> <li>• COFETEL</li> <li>• CSA and IC</li> <li>• Complies with requirements for use in a compartment handling environmental air (plenum) per NEC® 2011 300.22(C)(3)</li> <li>• UL Listed, UL 2043 Plenum Rated, NOM (expected Q1 2012), and FCC Approved. Complies with the limits for a Class B digital device, pursuant to Part 15 of the FCC Rule</li> </ul>						
Power / Load	<ul style="list-style-type: none"> <li>• Operating voltage: 120 – 277V <math>\ominus</math> 50/60 Hz</li> <li>• Maximum load: 16A general purpose. No minimum load requirements</li> <li>• Load types include (but are not limited to): Incandescent, MLV, ELV, Resistive, Inductive, Magnetic fluorescent, Electronic fluorescent</li> <li>• Motor rating: 0.5 HP (120V <math>\ominus</math>), 1.5 HP (277V <math>\ominus</math>)</li> </ul>						
ENVIRONMENTAL							
Ambient Operating Temperature	32°F to 131°F (0°C to 55°C), 0%–90% humidity, non-condensing; indoor use only						
OTHER							
Range	<ul style="list-style-type: none"> <li>• Lutron® Clear Connect™ RF Technology allows for 30ft (10m) of range</li> </ul>						
Softswitch	<ul style="list-style-type: none"> <li>• Lutron's Patented Softswitch® circuit eliminates relay arcing at mechanical contacts</li> <li>• Extends relay life to an average of 1 million cycles</li> <li>• Output is non-latching</li> </ul>						
Contact Closure Output (CCO version only)	<ul style="list-style-type: none"> <li>• Provides occupancy status to 3rd-party equipment such as building management systems, HVAC, and VAV controllers</li> <li>• Provides both normally open (MNO) and normally closed (NC) dry contacts</li> <li>• Maintained output type</li> <li>• CCO terminals accept 20 to 16AWG (0.5 to 1.5mm<sup>2</sup>) solid or stranded wire</li> <li>• Output is latching</li> <li>• Not for voltages greater than 24V</li> <li>• The CCO is not rated to control unclamped inductive loads. Inductive loads include, but are not limited to: relays, solenoids, and motors. To control these types of equipment, a flyback diode must be used (DC voltages only)</li> </ul> <div style="text-align: center;"> </div> <table border="1" style="margin-left: auto; margin-right: auto;"> <thead> <tr> <th>Switching Voltage</th> <th>Resistive Load</th> </tr> </thead> <tbody> <tr> <td>0-24V <math>\approx</math></td> <td>1.0A</td> </tr> <tr> <td>0-24V <math>\ominus</math></td> <td>0.5A</td> </tr> </tbody> </table>	Switching Voltage	Resistive Load	0-24V $\approx$	1.0A	0-24V $\ominus$	0.5A
Switching Voltage	Resistive Load						
0-24V $\approx$	1.0A						
0-24V $\ominus$	0.5A						
Warranty	Limited Five-Year Warranty						

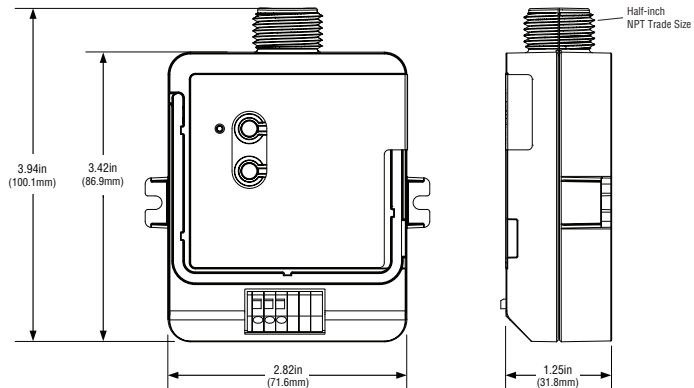
## AIRLINK™ 16AMP POWERPACK (AL-16A-PP)

The AirLink™ 16AMP Powerpack is a radio frequency (RF) device that controls up to 16A of general-purpose load based on input from AirLink™ wireless switches and AirLink™ ceiling-mounted wireless occupancy and daylight sensors. An optional low-voltage dry contact closure output is available to communicate occupancy status to 3rd-party systems such as HVAC controllers. Communication with RF input devices, such as AirLink™ wireless switches and AirLink™ ceiling-mounted wireless sensors, is accomplished using Lutron® Clear Connect™ RF Technology.

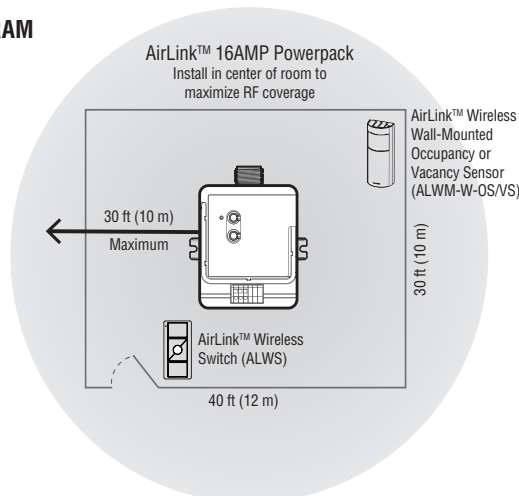
## FEATURES

- Capable of switching 16A of general-purpose loads
- Optional low-voltage dry contact closure output provides integration to building management systems, HVAC, VAV, etc.
- Receives wireless inputs from up to 9 AirLink™ wireless switches, 6 AirLink™ ceiling-mounted wireless occupancy/vacancy sensors, and 1 ceiling-mounted wireless daylight sensor
- Mounts to a junction box through a standard half-inch (NPT trade size) knockout
- LED status indicator shows current load status and provides programming feedback
- Power failure memory: If power is interrupted, connected loads will return to the previous level prior to interruption
- Daylighting can be overridden by pressing the ON button on any associated AirLink™ wireless switch and will be re-enabled after 2 hours or after the area becomes unoccupied

## DIMENSIONS



## RANGE DIAGRAM



Project Name \_\_\_\_\_ Catalog # \_\_\_\_\_

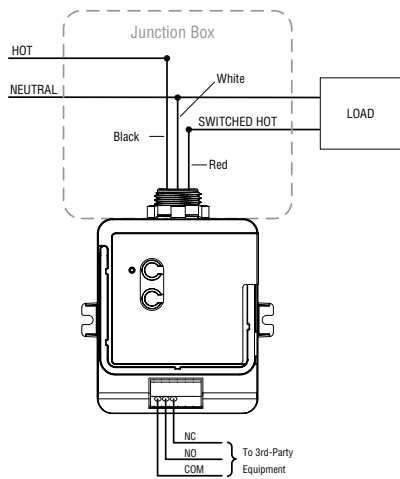
1-800-436-7800 (Support, Option 8) [www.lsi-airlink.com](http://www.lsi-airlink.com)

07/27/16

© 2016  
LSI INDUSTRIES INC.

# AIRLINK™ 16AMP POWERPACK (AL-16A-PP)

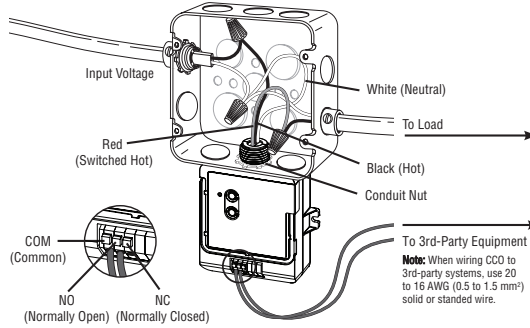
## WIRING DIAGRAM



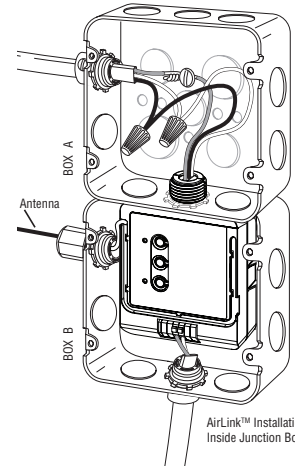
CCO Operation affected only by associated occupancy or vacancy sensors

**Room Occupied:** NO = Close NC = Open

**Room Unoccupied:** NO = Open NC = Close

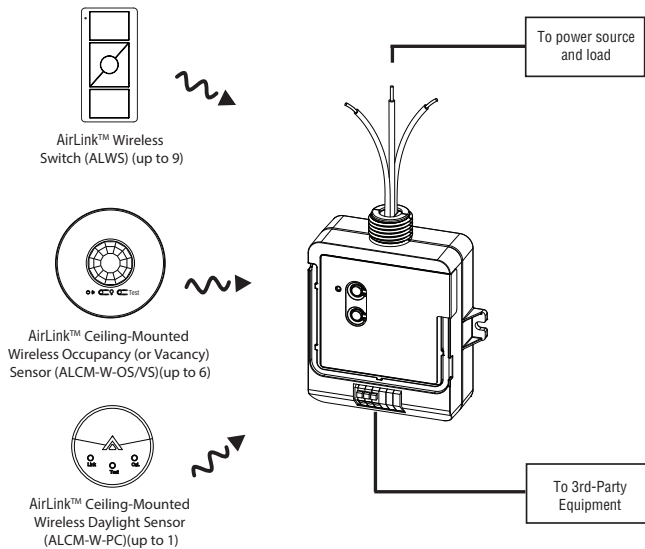


In some applications, an the Powerpack can be installed inside a 4in X 4in (102mm X 102mm) junction box.



AirLink™ Installation Inside Junction Box

## SYSTEM DIAGRAM



## DEFAULT OPERATION

TRANSMITTING DEVICE	TRANSMITTED COMMAND	LOAD RELAY DEFAULT ACTION	CCO DEFAULT ACTION
AirLink™ Wireless Switch	On	Close	No Action
	Off	Open	No Action
	Raise / Lower	No Action	No Action
	Preset	Close	No Action
AirLink™ Ceiling-Mounted Wireless Occupancy Sensor	Occupied	Close	NO = Close, NC = Open
	Unoccupied	Open	NO = Open, NC = Closed
AirLink™ Ceiling-Mounted Wireless Vacancy Sensor	Occupied	No Action	NO = Close, NC = Open
	Unoccupied	Open	NO = Open, NC = Closed
AirLink™ Ceiling-Mounted Wireless Daylight Sensor	Ambient Light Below Target Level	Close	No Action
	Ambient Light Above Target Level	Open	No Action

## ORDERING INFORMATION (AL-16A-PP)

PART NO.	CAT. NO.	DESCRIPTION
632642	AL-16A-PP	AirLink™ 16AMP Powerpack, ON/OFF, contact closure output



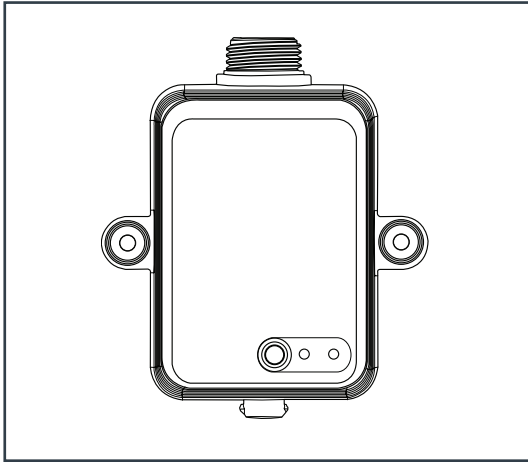
Project Name \_\_\_\_\_ Catalog # \_\_\_\_\_

1-800-436-7800 (Support, Option 8) [www.lsi-airlink.com](http://www.lsi-airlink.com)

07/27/16

© 2016  
LSI INDUSTRIES INC.

# AIRLINK™ 20AMP PLUG LOAD CONTROLLER (AL-20A-PLC)



## APPLICATIONS

- Small offices
- Conference rooms
- Lounges
- Classrooms

## SPECIFICATIONS

ELECTRICAL	
Regulatory Approvals	<ul style="list-style-type: none"> <li>• UL<sub>®</sub> Listed (USA)</li> <li>• UL 2043 Plenum Rated (USA)</li> <li>• FCC approved. Complies with the limits for a Class B device, pursuant to Part 15 of the FCC rules (USA)</li> <li>• cUL and IC (Canada)</li> <li>• Complies with requirements for use in a compartment handling environmental air (plenum) per NEC<sub>®</sub> 2014 300.22(C)(3)</li> <li>• BAA compliant</li> </ul>
Power / Load	<ul style="list-style-type: none"> <li>• Operating voltage: 120 – 277V <math>\ominus</math> 50/60Hz</li> <li>• Standby power consumption &lt; 1.25 W</li> <li>• 20A: No minimum load requirements</li> <li>• Load types include (but are not limited to): Incandescent, MLV, ELV, Resistive, Inductive</li> <li>• Motor rating: 1.0HP (120V <math>\ominus</math>), 2.0HP (240–277V <math>\ominus</math>)</li> <li>• Able to control 20A of receptacles</li> <li>• The 20A plug load controller may be used with (but not limited to): monitors, fans, printers, humidifiers (Note: refer to manufacturer's guidelines for acceptable switching methods)</li> <li>• The 20A plug load controller may NOT be suitable for use with devices that require any of the following:                             <ul style="list-style-type: none"> <li>– Shut-down process before power is interrupted, such as computers.</li> <li>– Cool-down process before power is interrupted, such as projectors.</li> <li>– Programming, such as clocks or DVRs.</li> <li>– Long warm-up cycle.</li> </ul> </li> <li>• Not for use with loads that present a hazard if automatically energized. For example, heaters.</li> <li>• Any receptacles that are controlled by an automatic control device must be marked with "Ⓢ" located on the controlled receptacle outlet where visible after installation as stated in 2014 NECR Article 406.3(E).</li> </ul>
ENVIRONMENTAL	
Ambient Operating Temperature	32°F to 104°F (0°C to 40°C), 0%–90% humidity, non-condensing; indoor use only
OTHER	
Range	<ul style="list-style-type: none"> <li>• RF range is 30ft (9m)</li> <li>• Utilizes Lutron<sub>®</sub> Clear Connect™ RF Technology</li> </ul>
Warranty	Limited Five-Year Warranty



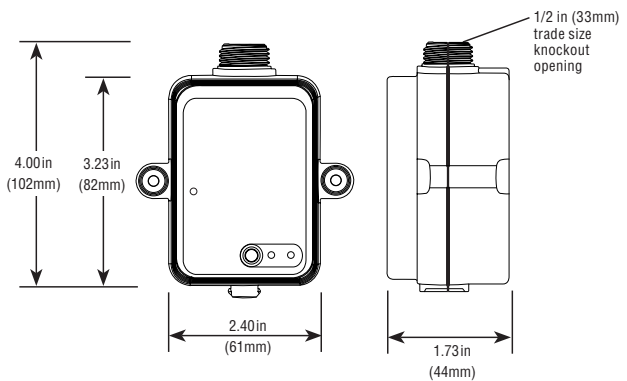
## OVERVIEW

The AirLink™ 20AMP Plug Load Controller is a radio-frequency (RF), receptacle switching solution that is capable of controlling 20 A receptacles based on input from AirLink™ wireless switches and AirLink™ ceiling-mounted wireless occupancy sensors. Communication with RF input devices, such as AirLink™ wireless switches and / or AirLink™ ceiling-mounted wireless occupancy/vacancy sensors, is accomplished using Lutron<sub>®</sub> Clear Connect<sub>®</sub> RF Technology.

## FEATURES

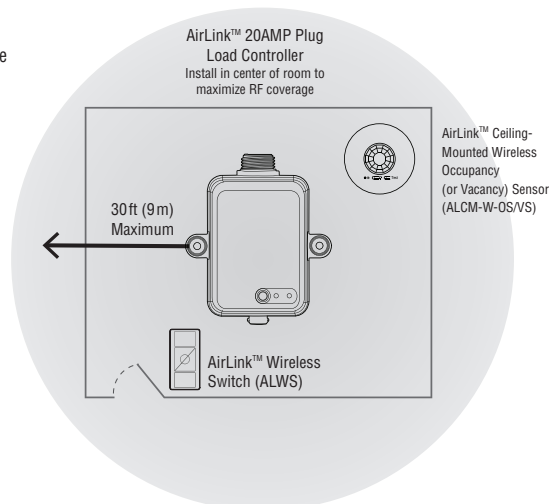
- Able to control 20 A receptacles
- Capable of switching general-purpose loads
- Receives wireless inputs from a total of ten wireless controls maximum (AirLink™ wireless switches or AirLink™ ceiling-mounted wireless occupancy/vacancy sensors)
- Mounts to a U.S. style junction box through a standard size knockout
- Heavy duty mechanically held, latching relays, with silver alloy contacts
- Zero cross switching
- Includes required controlled outlet labels for code compliance
- Provides a fail safe mechanism to turn on the output in the event of a missing sensor
- LED status indicator shows current load status and provides programming feedback
- Power failure memory: If power is interrupted, connected receptacles will return to the state prior to the power interruption
- Zero cross switching and heavy-duty relays

## DIMENSIONS



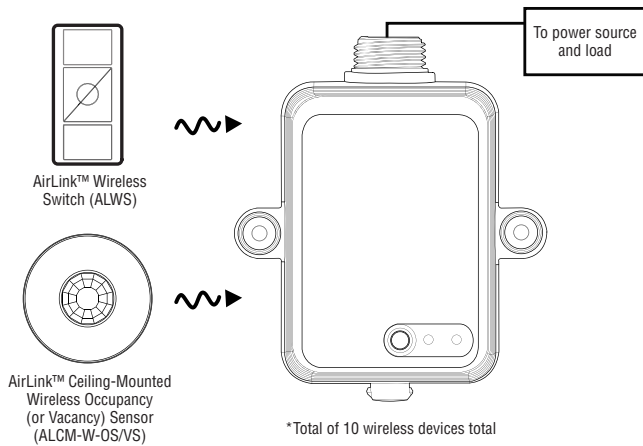
## RANGE DIAGRAM

**NOTE:** Wireless transmitters must be located within 30ft (9m) of the Plug Load Controller module.



# AIRLINK™ 20AMP PLUG LOAD CONTROLLER (AL-20A-PLC)

## SYSTEM DIAGRAM



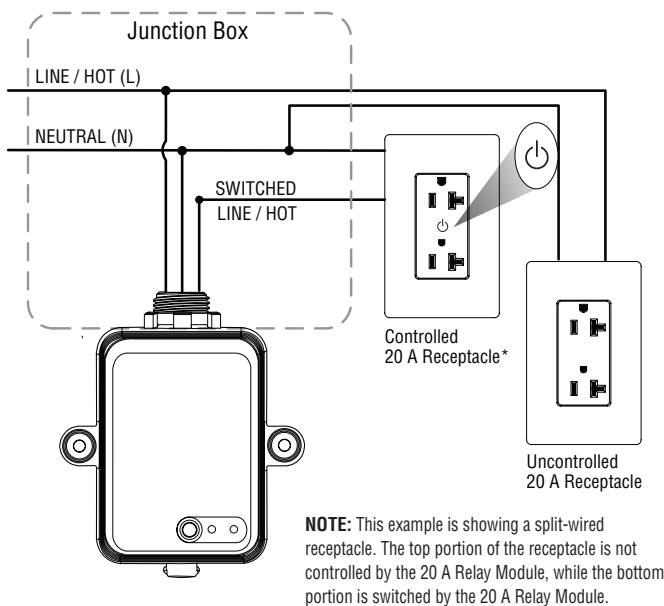
## DEFAULT OPERATION

TRANSMITTING DEVICE	TRANSMITTED COMMAND	DEFAULT ACTION
AirLink™ Wireless Switch (ALWS)	On	Close
	Off	Open
	Raise	No Action
	Lower	No Action
	Preset	Close
AirLink™ Ceiling-Mounted Wireless Occupancy Sensor (ALCM-W-OS)	Occupied	Close
	Unoccupied	Open
AirLink™ Ceiling-Mounted Wireless Vacancy Sensor (ALCM-W-VS)	Occupied	Close
	Unoccupied	Open

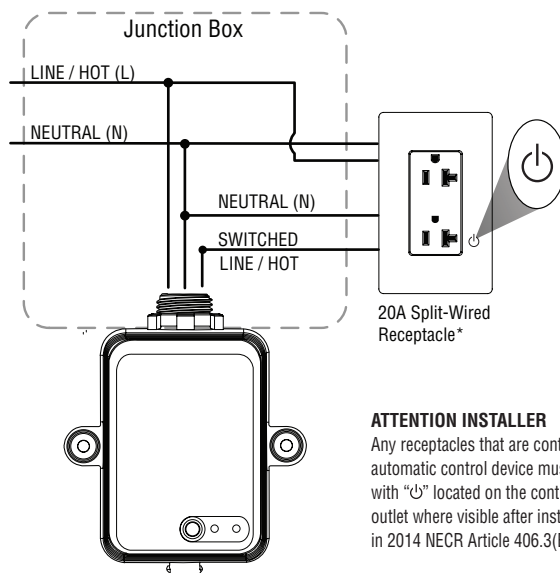
Note: Unaffected Mode allows a system with an Occupancy sensor associated to multiple relay modules to be set up such that only selected loads turn on automatically. Other loads will require a manual turn-on with a AirLink™ wireless switch. All loads will turn off automatically when the room is vacated. See the AirLink™ 20A Plug Load Controller installation guide for more information on Unaffected Mode.

## WIRING DIAGRAMS

### DUPLIX RECEPTACLE



### SPLIT-WIRED DUPLEX RECEPTACLE



**NOTE:** The 20A plug load controller is also capable of controlling 120 – 277 V Ⓢ lighting and receptacles. Receptacle wiring diagrams shown.

### WARNING - ENTRAPMENT/FIRE HAZARD



To avoid the risk of entrapment, serious injury, or death, these controls must not be used to control equipment which is not visible from every control location or which could create hazardous situations such as entrapment if operated accidentally. Examples of such equipment which must not be operated by these controls include (but are not limited to) motorized gates, industrial doors, space heaters, etc. It is the installer's responsibility to ensure that the equipment being controlled is visible from every control location and that only suitable equipment is connected to these controls. Failure to do so could result in serious injury or death.

## ORDERING INFORMATION

PART NO.	CAT. NO.	DESCRIPTION
624097	AL-20A-PLC	AirLink™ 20AMP Plug Load Controller



Project Name \_\_\_\_\_ Catalog # \_\_\_\_\_

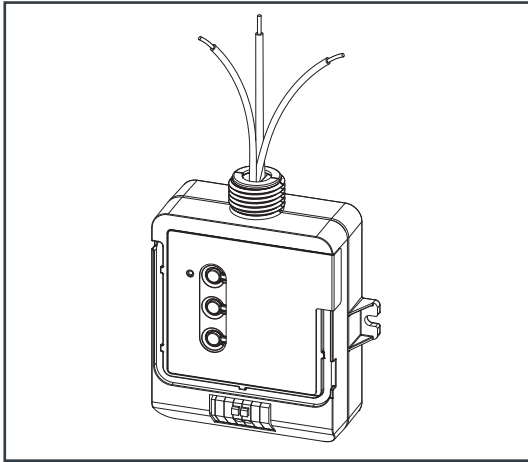
1-800-436-7800 (Support, Option 8) [www.lsi-airlink.com](http://www.lsi-airlink.com)

07/27/16

© 2016  
LSI INDUSTRIES INC.



# AIRLINK™ 5AMP POWERPACK WITH 0–10V DIMMING (AL-5A-PP-D)



## APPLICATIONS

- Small offices
- Conference rooms
- Lounges
- Classrooms

## SPECIFICATIONS

ELECTRICAL	
Regulatory Approvals	<ul style="list-style-type: none"> <li>• COFETEL and NOM (Mexico)</li> <li>• CSA and IC (Canada)</li> <li>• Complies with requirements for use in a compartment handling environmental air (plenum) per NEC® 2011 300.22(C)(3)</li> <li>• UL Listed, UL 2043 Plenum Rated and FCC Approved. Complies with the limits for a Class B digital device, pursuant to Part 15 of the FCC Rule</li> </ul>
Power / Load	<ul style="list-style-type: none"> <li>• Operating voltage: 120 – 277V <math>\ominus</math> 50/60 Hz</li> <li>• Maximum load: 5A general purpose. No minimum load requirements</li> <li>• Output ratings: switch rate of 5AX. Rated for resistive or capacitive loads as defined by IEC/EN 60669-2-1, 0-10V control link for 60mA maximum output, source sink automatically configures</li> <li>• Standby power: 240 – 277V <math>\ominus</math> 610mW, 120V <math>\ominus</math> 550mW</li> <li>• BTU/hour when fully loaded: 9</li> </ul>
ENVIRONMENTAL	
Ambient Operating Temperature	32°F to 104°F (0°C to 40°C), 0%–90% humidity, non-condensing; indoor use only
OTHER	
Range	<ul style="list-style-type: none"> <li>• Lutron® Clear Connect™ RF Technology allows for 30ft (10m) of range</li> </ul>
0–10V Control Link	<ul style="list-style-type: none"> <li>• Communicates with up to 60mA of fixtures</li> <li>• Control link is IEC SELV/NEC® Class 2</li> <li>• 0–10V control can be installed using NEC® Class 1 or Class 2 wiring methods. Alternately, it can be wired to basic or double-insulated devices</li> <li>• Terminals accept one 18 to 16AWG (0.75 to 1.5mm<sup>2</sup>) solid wire</li> <li>• Always consult local wiring codes</li> <li>• Compatible with ANSI E1.3.2001 (R2006), IEC 60929 Annex E</li> <li>• 0–10V control miswire protection up to 30V ==</li> <li>• Programming lockout can be enabled for public spaces</li> <li>• 0–10V can be inverted for 10–0V control</li> </ul>
Default Operation	<ul style="list-style-type: none"> <li>• Associated wireless input devices control all connected fixtures together</li> <li>• Occupancy sensors: Occupied = 100%; Unoccupied = 0% (OFF)</li> <li>• AirLink™ wireless switches: On = 100%; Favorite Level = 50%; Off = 0% (OFF)</li> <li>• Daylight Sensor: Decreases electric light in response to additional available daylight</li> </ul>
Warranty	Limited Five-Year Warranty

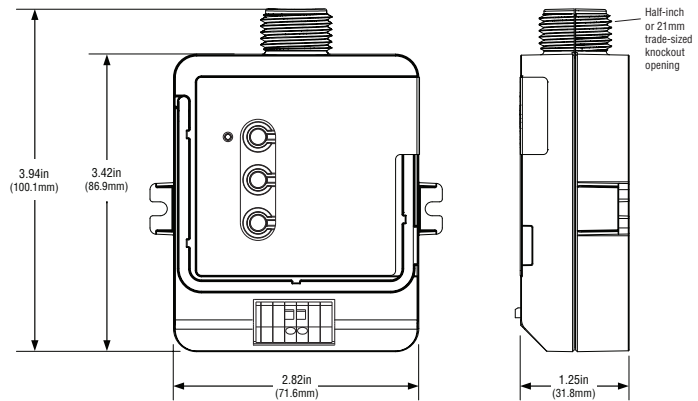
## AIRLINK™ 5AMP POWERPACK WITH 0–10V DIMMING

The AirLink™ 5AMP Powerpack with 0–10V dimming is a radio frequency (RF) device that operates 0–10V controlled fluorescent ballasts or LED drivers based on input from AirLink™ wireless switches and AirLink™ ceiling-mounted wireless sensors. The dimming module with 0–10V control is ideal for small areas, such as: classrooms, conference rooms, and private offices. Communication with RF input devices, such as AirLink™ wireless switches and AirLink™ ceiling-mounted wireless sensors (daylighting/occupancy/vacancy), is accomplished using Lutron® Clear Connect™ RF Technology.

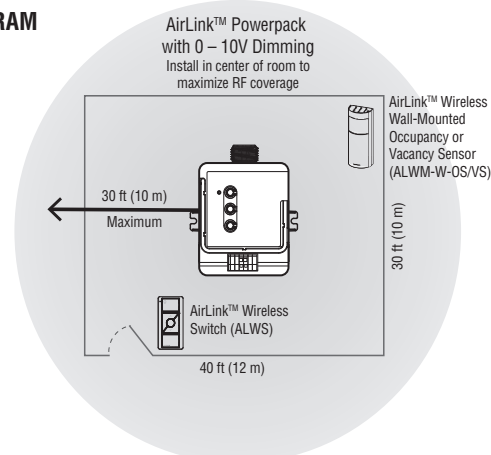
## FEATURES

- Controls up to 60mA of 0–10V controlled fixtures together
- Capable of switching 5A total
- 0–10V control link automatically sources or sinks to 3rd-party fixtures
- Configurable high- and low-end trim.
- Receives wireless inputs from up to 9 AirLink™ wireless switches, 6 AirLink™ ceiling-mounted wireless occupancy/vacancy sensors, and 1 ceiling-mounted wireless daylight sensor
- Mounts to a junction box through a standard-size knockout
- LED status indicator shows current load status and provides programming feedback
- Power failure memory: If power is interrupted, connected loads will return to the previous level prior to interruption
- Daylighting can be overridden by pressing the Raise button on any associated AirLink™ wireless switch and will be re-enabled after 2 hours; by pressing the ON, OFF or Preset buttons; or after the area becomes unoccupied

## DIMENSIONS



## RANGE DIAGRAM



Project Name \_\_\_\_\_ Catalog # \_\_\_\_\_

1-800-436-7800 (Support, Option 8) www.lsi-airlink.com

07/27/16

© 2016  
LSI INDUSTRIES INC.

# AIRLINK™ 5AMP POWERPACK WITH 0–10V DIMMING (AL-5A-PP-D)

## ADVANCED CONFIGURATIONS

### AirLink™ Wireless Switches

- Up to 9 switches can be connected, each with set favorite levels

### AirLink™ Ceiling-Mounted Wireless Daylight Sensor

- AirLink™ ceiling-mounted wireless daylight sensor will affect the connected ballasts and LED drivers equally
- For multiple rows of daylighting, a separate dimming module must be used for each daylighting row

### Minimum Light Level Setting (optional)

- Certain applications such as hallways, may require that the lights never turn off. For these areas, select the minimum light level option and the load will lower to programmed low-end level. Default operation lowers to OFF

### High- and Low-End Trim

- High-end and low-end trim affect all connected fixtures equally, and can be configured from the dimming module or from any associated AirLink™ wireless switch when unit is not in programming lock-out mode
- Adjustable low-end trim (0-45%). Trimmable low-end can ensure a stable light level. Some fixtures will flicker or drop out if trimmed too low

- The maximum light output of connected fixtures can be decreased down to 55% for energy savings in over-lit spaces. The perceived light output of low-end trim may vary between fixture manufacturers and model numbers. For best results do not mix different ballasts or drivers on the same 0–10V circuit

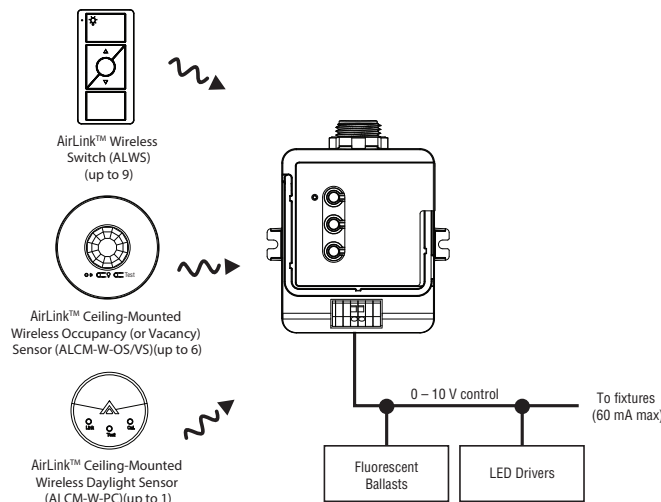
### AirLink™ Ceiling-Mounted Wireless Occupancy Sensors

- AirLink™ ceiling-mounted wireless occupancy and vacancy sensors control all connected ballasts or drivers
- AirLink™ wireless switches can be used to adjust the Occupied levels of fixtures that they control from 1% to 100% (of output signal) or can make them unaffected by Occupancy events
- Vacancy events (area becomes unoccupied) turn all ballasts and driver models OFF or to minimum lighting level

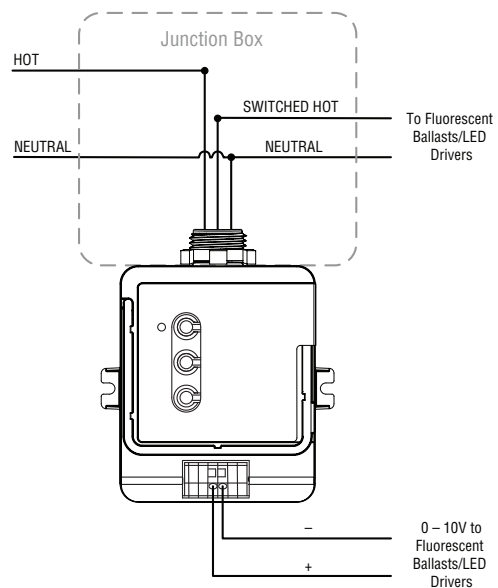
### Programming Lockout

- Once enabled, all AirLink™ wireless switches can no longer perform programming or set favorite levels
- To change settings, programming lockout must be unlocked by a button combination directly on the dimming module

## SYSTEM DIAGRAM



## WIRING DIAGRAM



**NOTE:** Some applications (in the USA) require the Powerpack module to be installed inside an additional junction box. Please consult all local and national electric codes for proper installation methods.

## ORDERING INFORMATION (AL-5A-PP-D)

PART NO.	CAT. NO.	DESCRIPTION
632640	AL-5A-PP-D	AirLink™ 5AMP Powerpack, 0–10V Dimming



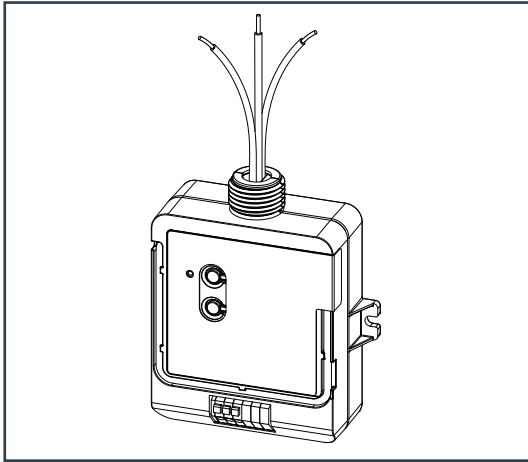
Project Name \_\_\_\_\_ Catalog # \_\_\_\_\_

1-800-436-7800 (Support, Option 8) [www.lsi-airlink.com](http://www.lsi-airlink.com)

07/27/16

© 2016  
LSI INDUSTRIES INC.

# AIRLINK™ 5AMP POWERPACK (AL-5A-PP)



## APPLICATIONS

- Small offices
- Conference rooms
- Lounges
- Classrooms

## SPECIFICATIONS

ELECTRICAL							
Regulatory Approvals	<ul style="list-style-type: none"> <li>• COFETEL</li> <li>• CSA and IC</li> <li>• Complies with requirements for use in a compartment handling environmental air (plenum) per NEC® 2011 300.22(C)(3)</li> <li>• UL Listed, UL 2043 Plenum Rated, NOM, and FCC Approved. Complies with the limits for a Class B digital device, pursuant to Part 15 of the FCC Rule</li> </ul>						
Power / Load	<ul style="list-style-type: none"> <li>• Operating voltage: 120 – 277V <math>\ominus</math> 50/60 Hz</li> <li>• Maximum load: 5A general purpose. No minimum load requirements</li> <li>• Load types include (but are not limited to): Incandescent, MLV, ELV, Resistive, Inductive, Magnetic fluorescent, Electronic fluorescent</li> <li>• Motor rating: 1/6 HP (120V <math>\ominus</math>), 1/3 HP (277V <math>\ominus</math>)</li> </ul>						
ENVIRONMENTAL							
Ambient Operating Temperature	32°F to 131°F (0°C to 55°C), 0%–90% humidity, non-condensing; indoor use only						
OTHER							
Range	<ul style="list-style-type: none"> <li>• Lutron® Clear Connect™ RF Technology allows for 30ft (10m) of range</li> </ul>						
Softswitch	<ul style="list-style-type: none"> <li>• Lutron's Patented Softswitch® circuit eliminates relay arcing at mechanical contacts</li> <li>• Extends relay life to an average of 1 million cycles</li> <li>• Output is non-latching</li> </ul>						
Contact Closure Output (CCO version only)	<ul style="list-style-type: none"> <li>• Provides occupancy status to 3rd-party equipment such as building management systems, HVAC, and VAV controllers</li> <li>• Provides both normally open (MNO) and normally closed (NC) dry contacts</li> <li>• Maintained output type</li> <li>• CCO terminals accept 20 to 16AWG (0.5 to 1.5mm<sup>2</sup>) solid or stranded wire</li> <li>• Output is latching</li> <li>• Not for voltages greater than 24V</li> <li>• The CCO is not rated to control unclamped inductive loads. Inductive loads include, but are not limited to: relays, solenoids, and motors. To control these types of equipment, a flyback diode must be used (DC voltages only)</li> </ul>						
	<table border="1"> <thead> <tr> <th>Switching Voltage</th> <th>Resistive Load</th> </tr> </thead> <tbody> <tr> <td>0-24V <math>\ominus</math></td> <td>1.0A</td> </tr> <tr> <td>0-24V <math>\ominus</math></td> <td>0.5A</td> </tr> </tbody> </table>	Switching Voltage	Resistive Load	0-24V $\ominus$	1.0A	0-24V $\ominus$	0.5A
Switching Voltage	Resistive Load						
0-24V $\ominus$	1.0A						
0-24V $\ominus$	0.5A						
Warranty	Limited Five-Year Warranty						

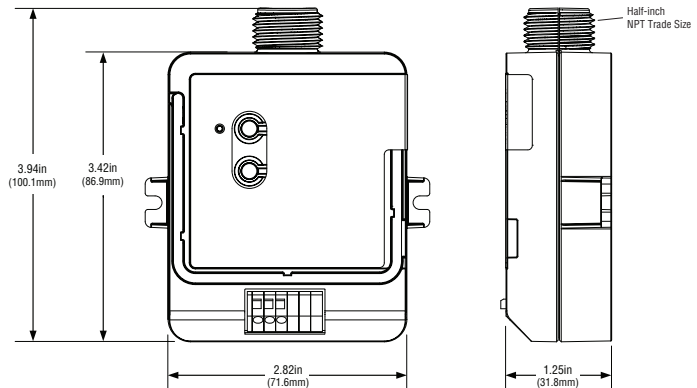
## AIRLINK™ 5AMP POWERPACK (AL-5A-PP)

The AirLink™ 5AMP Powerpack is a radio frequency (RF) device that controls up to 5A of general-purpose load based on input from AirLink™ wireless switches and AirLink™ ceiling-mounted wireless occupancy and daylight sensors. An optional low-voltage dry contact closure output is available to communicate occupancy status to 3rd-party systems such as HVAC controllers. Communication with RF input devices, such as AirLink™ wireless switches and AirLink™ ceiling-mounted wireless sensors, is accomplished using Lutron® Clear Connect™ RF Technology.

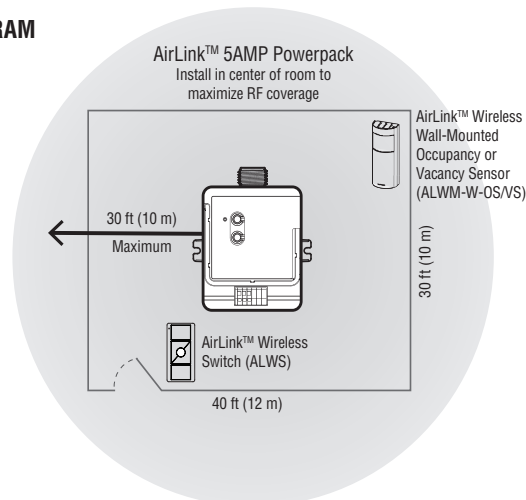
## FEATURES

- Capable of switching 5A of general-purpose loads
- Optional low-voltage dry contact closure output provides integration to building management systems, HVAC, VAV, etc.
- Receives wireless inputs from up to 9 AirLink™ wireless switches, 6 AirLink™ ceiling-mounted wireless occupancy/vacancy sensors, and 1 ceiling-mounted wireless daylight sensor
- Mounts to a junction box through a standard half-inch (NPT trade size) knockout
- LED status indicator shows current load status and provides programming feedback
- Power failure memory: If power is interrupted, connected loads will return to the previous level prior to interruption
- Daylighting can be overridden by pressing the ON button on any associated AirLink™ wireless switch and will be re-enabled after 2 hours or after the area becomes unoccupied

## DIMENSIONS

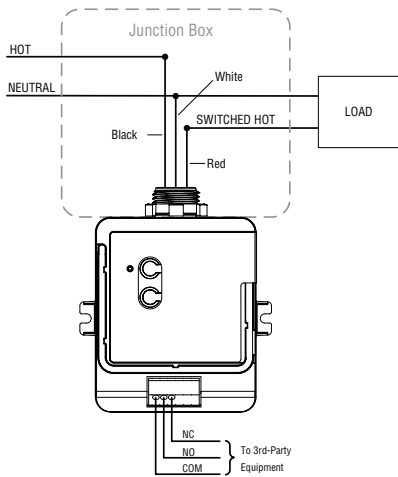


## RANGE DIAGRAM



# AIRLINK™ 5AMP POWERPACK (AL-5A-PP)

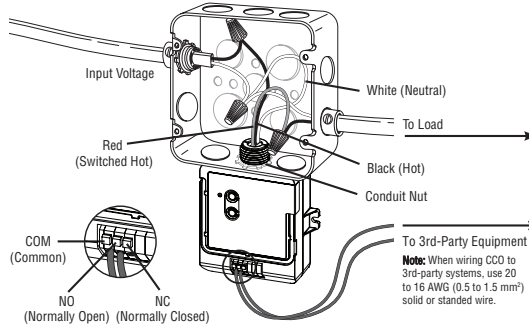
## WIRING DIAGRAM



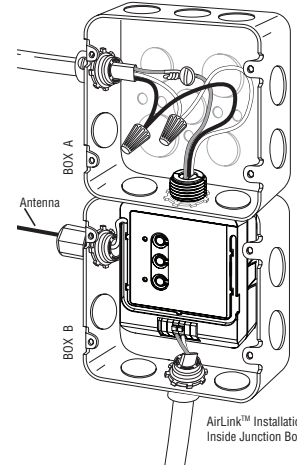
CCO Operation affected only by associated occupancy or vacancy sensors

**Room Occupied:** NO = Close NC = Open

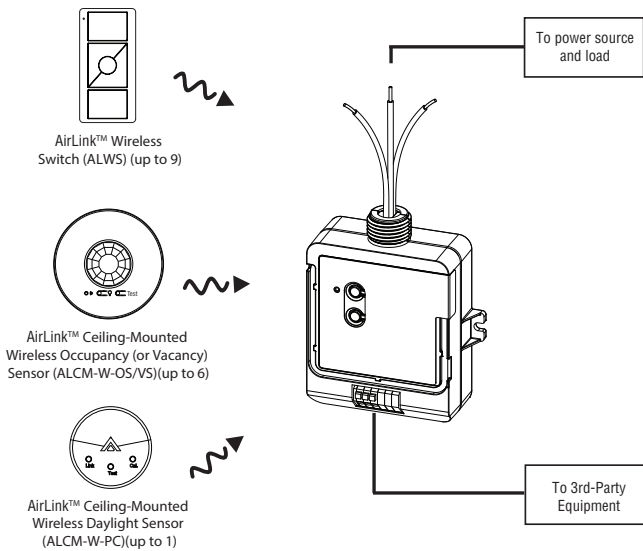
**Room Unoccupied:** NO = Open NC = Close



In some applications, an the Powerpack can be installed inside a 4in X 4in (102mm X 102mm) junction box.



## SYSTEM DIAGRAM



## DEFAULT OPERATION

TRANSMITTING DEVICE	TRANSMITTED COMMAND	LOAD RELAY DEFAULT ACTION	CCO DEFAULT ACTION
AirLink™ Wireless Switch	On	Close	No Action
	Off	Open	No Action
	Raise / Lower	No Action	No Action
	Preset	Close	No Action
AirLink™ Ceiling-Mounted Wireless Occupancy Sensor	Occupied	Close	NO = Close, NC = Open
	Unoccupied	Open	NO = Open, NC = Closed
AirLink™ Ceiling-Mounted Wireless Vacancy Sensor	Occupied	No Action	NO = Close, NC = Open
	Unoccupied	Open	NO = Open, NC = Closed
AirLink™ Ceiling-Mounted Wireless Daylight Sensor	Ambient Light Below Target Level	Close	No Action
	Ambient Light Above Target Level	Open	No Action

## ORDERING INFORMATION (AL-5A-PP)

PART NO.	CAT. NO.	DESCRIPTION
632641	AL-5A-PP	AirLink™ 5AMP Powerpack, ON/OFF, contact closure output



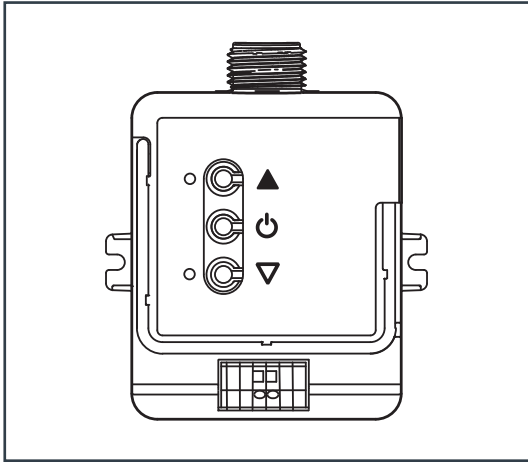
Project Name \_\_\_\_\_ Catalog # \_\_\_\_\_

1-800-436-7800 (Support, Option 8) [www.lsi-airlink.com](http://www.lsi-airlink.com)

07/27/16

© 2016  
LSI INDUSTRIES INC.

# AIRLINK™ FIXTURE CONTROLLER (ALC/ALCE)



## APPLICATIONS

- Small offices
- Conference rooms
- Lounges
- Classrooms

## SPECIFICATIONS

ELECTRICAL	
Regulatory Approvals	<ul style="list-style-type: none"> <li>• Title 20/24 certified lighting control device. Complies with Title 20 and Title 24 Section 110.9</li> <li>• Enables compliance with lighting control requirements in ASHRAE 90.1 and IECC</li> <li>• Complies with requirements for use in a compartment handling environmental air (plenum) per NEC® 2011 300.22(C)(3)</li> <li>• ALC is cULus Listed, NOM Certified, and FCC Approved. Complies with the limits for a Class B digital device, pursuant to Part 15 of the FCC Rule</li> </ul>
Wiring	Control wires can be run as either Class 1 or Class 2 <ul style="list-style-type: none"> <li>• ALC: gray and violet wires</li> <li>• Lutron® EcoSystem®: violet wires</li> </ul>
Frequency	431.0–437.0 MHz (U.S.A., Canada)
Power / Load	<ul style="list-style-type: none"> <li>• Operating voltage: 120 – 277V <math>\ominus</math> 50/60 Hz</li> <li>• 1 A switching maximum, electronic ballast or LED driver for 0 – 10 V <math>\text{---}</math> load</li> <li>• Standby power consumption &lt; 1 W ALC (0 – 10 V <math>\text{---}</math>)</li> <li>• Controls up to 6 mA of 0 – 10 V <math>\text{---}</math> controlled fixtures. Controls up to 3 ballasts or drivers (IEC 60929 Annex E.2 requires the ballast or driver to limit the current draw to 2.0 mA maximum). 0 – 10 V <math>\text{---}</math> control link on ALC automatically sources or sinks to third-party fixtures (Lutron® EcoSystem®)</li> <li>• Controls up to 3 Lutron® EcoSystem® LED drivers or ballasts. Multiple ballasts or drivers control only one combined zone of lighting</li> </ul>
ENVIRONMENTAL	
Ambient Operating Temperature	32°F to 104°F (0°C to 40°C), 0%–90% humidity, non-condensing; indoor use only
OTHER	
Range	<ul style="list-style-type: none"> <li>• Wireless sensors and controls must be located within 60ft (18m) line of sight, or 30ft (9m), through walls, of the associated control module.</li> <li>• Utilizes Lutron® Clear Connect™ RF Technology</li> </ul>
Mounting	<ul style="list-style-type: none"> <li>• Wireless fixture control mounts to a fixture or a U.S.-style junction box through a standard 1/2 in (12.7 mm) knockout. <b>NOTE:</b> The wireless fixture control needs to be accessible for some programming steps. Record where it is mounted so that it can be easily located later.</li> </ul>
Warranty	Limited Five-Year Warranty



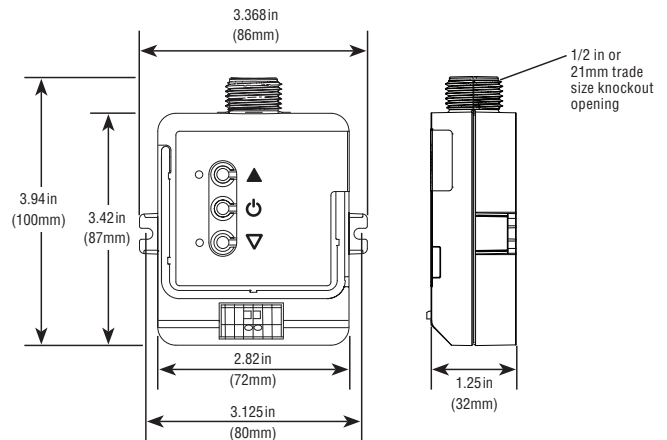
## OVERVIEW

The AirLink™ wireless fixture controller is a radio-frequency (RF) device that controls the 0–10V  $\text{---}$  or Lutron® EcoSystem® electronic fluorescent ballasts and LED drivers (depending on model). This is based on RF input from AirLink™ wireless switch (ALWS), AirLink™ ceiling-mounted wireless sensors, or wired inputs from the AirLink™ fixture sensor. The control module mounts to a fixture or a U.S.-style junction box. Communication with RF input devices is accomplished using Lutron® Clear Connect® RF Technology. This controller works with AirLink™ fixture sensors: occupancy (ALOS), vacancy (ALVS).

## FEATURES

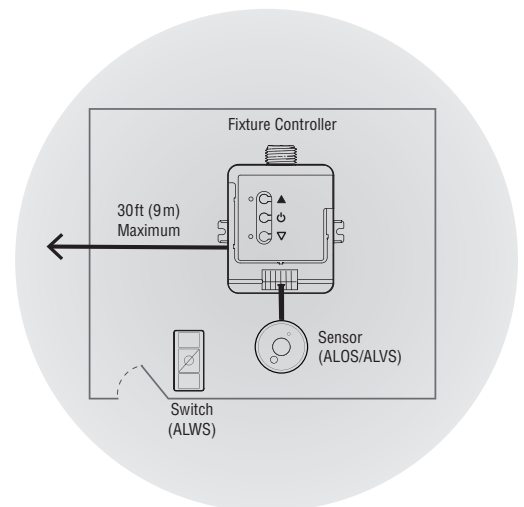
- Minimum Light Level Setting (optional). Certain applications, such as hallways, may require that the lights never turn off. For these areas, select the minimum light level option and the load will lower to programed low-end level
- Daylighting dims lights down to OFF. Occupancy sensor must go unoccupied (vacant) in order for the AirLink™ fixture sensor to turn the lights off
- Occupied light level can be changed via the AirLink™ ceiling-mounted wireless occupancy sensor
- Favorite light level can be set using an ALWS
- Power failure memory: If power is interrupted, connected loads will return to the previous level prior to interruption
- Low-end trim adjustment (default is 1V  $\text{---}$  or ballasts/drivers minimum for Lutron® EcoSystem® ballasts/drivers). High-end trim adjustment (default is 10V  $\text{---}$  or 100% for Lutron® EcoSystem® ballasts/drivers)

## DIMENSIONS



## RANGE DIAGRAM

**NOTE:** Wireless sensors and controls must be located within 60ft (18m) line of sight, or 30ft (9m), through walls, of the associated control module.



# AIRLINK™ FIXTURE CONTROLLER (ALC/ALCE)

## WIRING DIAGRAM

The following can be used per each AirLink™ wireless fixture control:

### Wired:

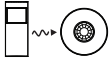


- Maximum of one (1) AirLink™ fixture sensor (occupancy/vacancy/daylight)
- NOTE:** Only one AirLink™ wireless fixture control can be used per AirLink™ fixture sensor, and vice versa

### Wireless:



- Maximum of ten (10) AirLink™ wireless switches



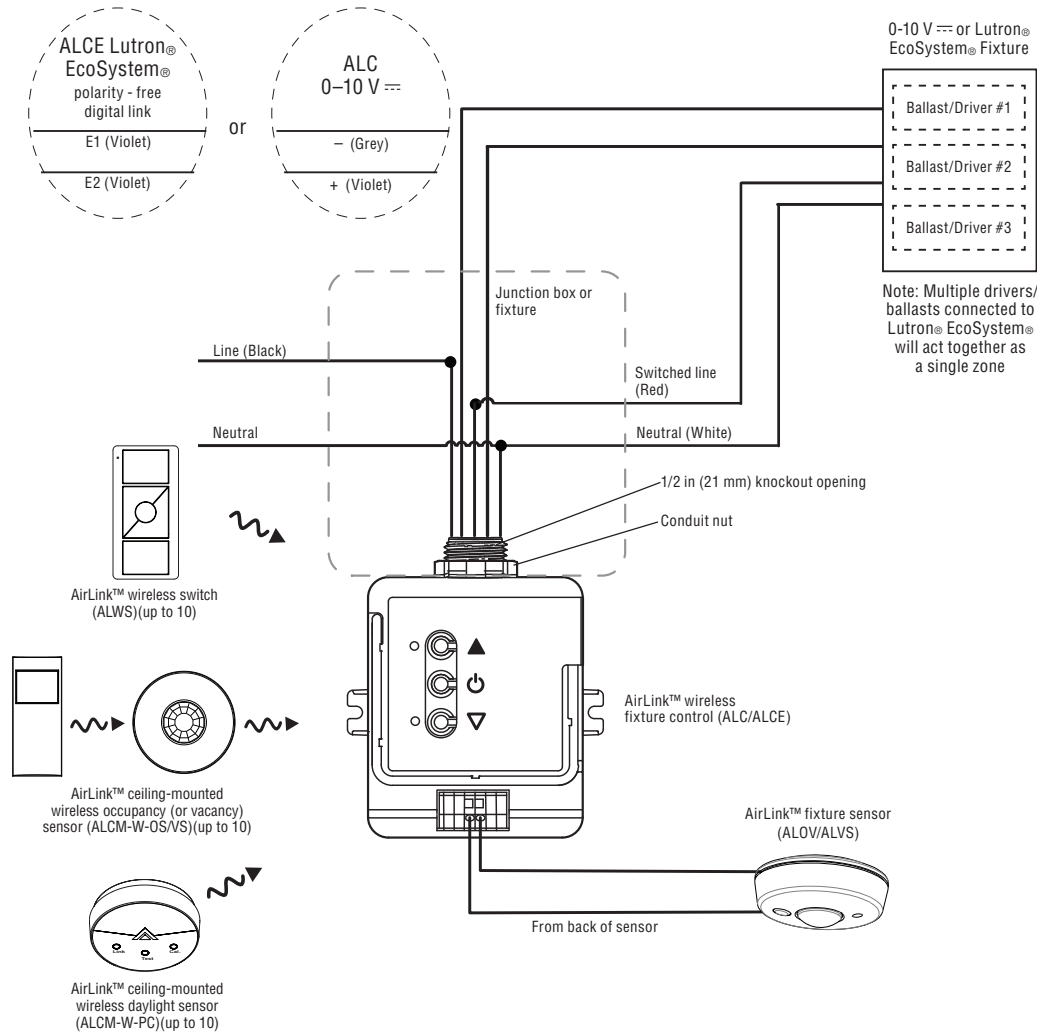
- Maximum of ten (10) AirLink™ ceiling-mounted wireless occupancy sensors



- Maximum of one (1) AirLink™ ceiling-mounted wireless daylight sensors

## NOTES

- When using an AirLink™ ceiling-mounted wireless daylight sensor in conjunction with both an AirLink™ wireless fixture control and AirLink™ fixture sensor, the AirLink™ ceiling-mounted wireless daylight sensor will provide the daylighting input to the control module, and the AirLink™ fixture sensor daylighting input will be ignored.
- When using an AirLink™ ceiling-mounted wireless occupancy sensor in conjunction with both an AirLink™ wireless fixture control and AirLink™ fixture sensor, occupancy data from both sensors is used; either one detecting occupancy will turn the lights on, and the lights turn off only when both sensors have gone vacant (no longer detect occupancy).
- Grouping enables an AirLink™ ceiling-mounted wireless occupancy sensor or AirLink™ ceiling-mounted wireless daylight sensor to group and control more than one fixture together.
- AirLink™ ceiling-mounted wireless occupancy sensors can be used with the AirLink™ fixture sensor to add coverage area.



## ORDERING INFORMATION

PART NO.	CAT. NO.	DESCRIPTION
624087	ALC	AirLink™ fixture controller (0-10V)
634480	ALCE	AirLink™ fixture controller (Lutron® EcoSystem®)



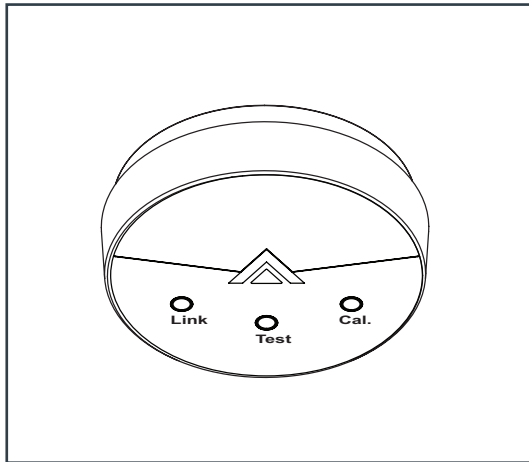
Project Name \_\_\_\_\_ Catalog # \_\_\_\_\_

1-800-436-7800 (Support, Option 8) [www.lsi-airlink.com](http://www.lsi-airlink.com)

07/29/16

© 2016  
LSI INDUSTRIES INC.

# AIRLINK™ CEILING-MOUNTED WIRELESS DAYLIGHT SENSOR (ALCM-W-PC)



## APPLICATIONS

- Small offices • Conference rooms • Lounges • Classrooms

## SPECIFICATIONS

ELECTRICAL	
Regulatory Approvals	• Lutron Quality Systems Registered to ISO 9001:2008
Standards	<ul style="list-style-type: none"> <li>• FCC certified</li> <li>• IC certified</li> <li>• COFETEL</li> <li>• ANATEL</li> <li>• ASEP</li> <li>• CRC</li> <li>• SUBTEL</li> <li>• SUPERTEL</li> <li>• SUTEL</li> <li>• Meets CA (U.S.A.) Energy Commission Title 24 requirements</li> <li>• cULus Listed</li> <li>• RoHS compliant</li> </ul>
Range	Local load controls must be located within 60ft (18m)   in-line-of-sight, or 30ft (9m) through walls, of a sensor
Power/Performance	<ul style="list-style-type: none"> <li>• Operating voltage: 3V<sup>---</sup></li> <li>• Operating current: 7<math>\mu</math>A</li> <li>• Requires one CR 2450 lithium battery</li> <li>• 10-year battery life</li> <li>• Non-volatile memory (settings are stored during power loss)</li> </ul>
ENVIRONMENTAL	
Ambient Operating Temperature	32°F to 104°F (0°C to 40°C)
Relative Humidity	< 90% non-condensing; indoor use only



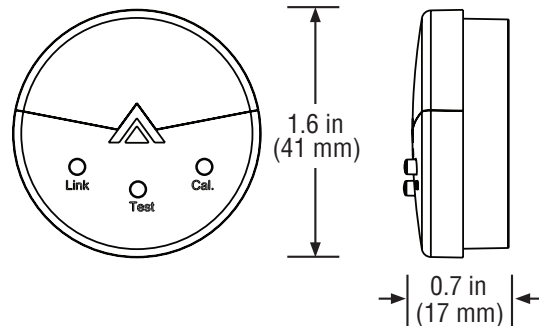
## OVERVIEW

AirLink™ Ceiling-Mounted Wireless Daylight Sensor is a battery-powered sensor that automatically controls lights via RF communication to compatible dimming or switching devices. This sensor mounts to the ceiling and measures light in the space. The sensor then transmits the light level to the associated dimming or switching devices that automatically control the lights to balance light level in the space. The sensor combines both convenience and exceptional energy savings potential along with ease of installation.

## FEATURES

- Wireless daylight sensor has simple calibration
- Daylight compensation through Lutron® reliable open loop control
- Designed to give a linear response to changes in viewed light level
- Light range 0 to 150fc (0 to 1600lx)
- Uses Lutron® Clear Connect® Technology
- Works with AirLink™ wireless occupancy/vacancy sensors and AirLink™ wireless switches
- Intuitive test mode provides instant system verification
- Multiple ceiling-mount methods available for different ceiling materials
- Front accessible test buttons make setup easy
- On a single-tap, lights fade ON or OFF, on a double-tap, lights go to full ON.
- 10-year battery life

## DIMENSIONS



## ORDERING INFORMATION

PART NO.	CAT. NO.	DESCRIPTION
624090	ALCM-W-PC	AirLink Ceiling-Mounted Wireless Daylight Sensor (Photocell)



Project Name \_\_\_\_\_ Catalog # \_\_\_\_\_

1-800-436-7800 (Support, Option 8) [www.lsi-airlink.com](http://www.lsi-airlink.com)

07/27/16

© 2016  
LSI INDUSTRIES INC.

# AIRLINK™ CEILING-MOUNTED WIRELESS DAYLIGHT SENSOR (ALCM-W-PC)

## INSTALLATION OVERVIEW

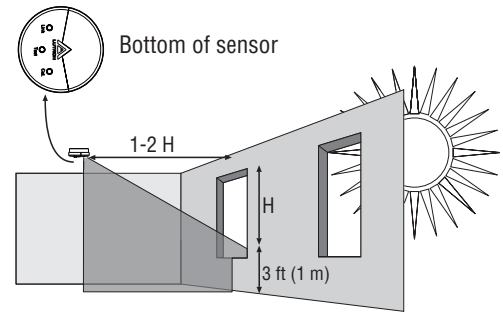
Determine the Daylight Sensor mounting location using the diagrams (right)

- The arrow on the daylight sensor points toward the area viewed by the sensor.
- Place the daylight sensor so the arrow is pointed at the nearest window at a distance from the window of one to two times the effective window height (H).
- The effective window height (H) starts at the window sill or 3 ft (1 m) up from the floor, whichever is higher, and ends at the top of the window.
- Ensure that the view of the daylight sensor is not obstructed (e.g. ceiling fans or pendant fixtures).
- Do not position the daylight sensor above an electric light that shines up at the ceiling or at the sensor.
- Do not position the daylight sensor in the well of a skylight or above indirect lighting fixtures.
- For narrow areas where the daylight sensor cannot be placed 1-2 (H) from windows, place sensor near windows facing into the space.
- Mount sensor(s) away from large metal surfaces (e.g. light fixtures or metal-backed ceiling tiles). Metal objects will affect the RF performance of the sensor.

## MOUNTING

### Location for average size areas

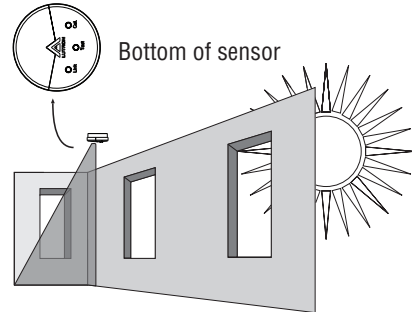
(Arrow on sensor points towards the area viewed by the sensor (towards the window))



H = Effective Window Height

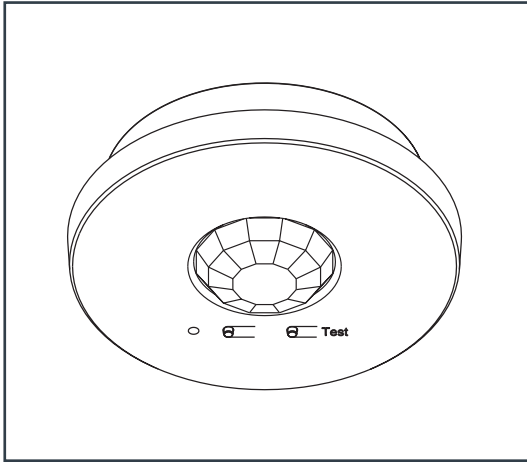
### Location for narrow areas

Arrow on sensor points towards the area viewed by the sensor (away the window)





# AIRLINK™ CEILING-MOUNTED WIRELESS OCC/VAC SENSOR (ALCM-W-OS, ALCM-W-VS)



## APPLICATIONS

- Small offices • Conference rooms • Lounges • Classrooms

## SPECIFICATIONS

ELECTRICAL	
Regulatory Approvals	• Lutron® Quality Systems Registered to ISO 9001:2008
Standards	<ul style="list-style-type: none"> <li>• FCC and IC certified</li> <li>• COFETEL, ANATEL, SUTEL</li> <li>• Meets CA (U.S.A.) Energy Commission Title 24 requirements (vacancy model only)</li> <li>• cULus Listed</li> <li>• RoHS compliant</li> </ul>
Range	<ul style="list-style-type: none"> <li>• 360° coverage ranges from 324ft<sup>2</sup> (30.2m<sup>2</sup>) to 676ft<sup>2</sup> (62.4m<sup>2</sup>), depending on mounting height</li> <li>• Local load controls must be located within 60ft (18m) line-of-sight—or 30ft (9m) through walls—of a sensor.</li> </ul>
Power/Performance	<ul style="list-style-type: none"> <li>• Frequency: 431.0 – 437.0MHz (U.S.A, Canada, Mexico, Brazil)</li> <li>• Operating voltage: 3V<sup>DC</sup></li> <li>• Operating current: 14µA</li> <li>• Requires one CR 123 lithium battery</li> <li>• 10-year battery life</li> <li>• Non-volatile memory (settings are stored during power loss)</li> </ul>
ENVIRONMENTAL	
Temperature/Use	32°F to 104°F (0°C to 40°C), Indoor use only
OTHER	
Testing	<ul style="list-style-type: none"> <li>• Sensor Coverage Test: front accessible test button, lens illuminates orange in response to motion during test mode and is visible from 60ft (18m)</li> <li>• Wireless Communication Test: front accessible test button, turn associated loads on and off</li> </ul>
Warranty	5-Year Limited Warranty



## OVERVIEW

AirLink™ Ceiling-Mounted Wireless Occupancy and Vacancy Sensors are wireless, battery-powered, passive infrared (PIR) sensors that automatically control lights via RF communication to compatible dimming and switching devices. These sensors detect the heat (IR radiation of 9.5 µm) from people moving within an area to determine when the space is occupied. The sensors then wirelessly transmit the appropriate commands to the associated dimming and switching devices to turn the lights ON or OFF automatically. They combine both convenience and exceptional energy savings potential along with ease of installation.

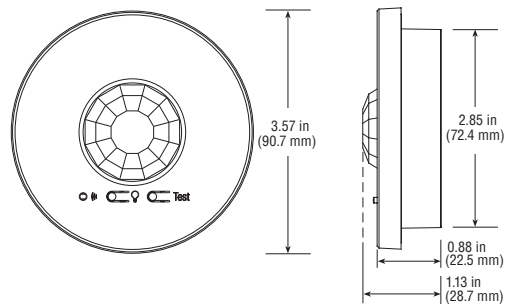
## FEATURES

- Wireless occupancy sensor has 3 settings available: Auto-On/Auto-Off, Auto-On Low-Light/Auto-Off, and Manual-On/Auto-Off. Auto-On options:
  - **Enabled:** Sensor turns lights ON and OFF automatically
  - Low Light: Sensor turns light ON automatically only in low ambient light conditions; sensor turns lights OFF automatically
  - Disabled\*: Lights must be turned ON manually from dimming or switching device; sensor turns lights OFF automatically
- Auto-On Low-Light feature will turn lights on automatically only if there is less than approximately 1 fc (10 Lux) of ambient light
- Uses Lutron® Clear Connect® technology and Lutron® XCT™ Technology with passive infrared motion detection for fine motion detection
- Simple and intuitive adjustments available for Timeout, Auto-On, and Activity settings:
  - Time out options: 1 minute\*\*, 5 minutes, **15 minutes**, 30 minutes
  - Activity options: **Low Activity**, Medium Activity, High Activity
- Supports advanced occupancy features, such as dependent occupancy groups and customizable occupied/unoccupied presets in some systems
- Multiple sensors can be added for extended coverage
- Multiple ceiling-mount methods available for different ceiling materials
- Front accessible test buttons make programming easy

### Default factory settings shown in bold

- \* 15 second grace period begins when the lights are automatically turned OFF. They automatically turn back ON in response to motion. This grace period is provided as a safety and convenience feature if the lights turn OFF while the room is still occupied. After 15 seconds, the lights must be manually turned ON
- \*\* Intended for use in high-activity, briefly occupied areas only

## DIMENSIONS



## ORDERING INFORMATION

### SENSORS

PART NO.	CAT. NO.	DESCRIPTION
624094	ALCM-W-OS	AirLink Ceiling-Mounted Wireless Occupancy Sensor
624615	ALCM-W-VS	AirLink Ceiling-Mounted Wireless Vacancy Sensor

### SENSOR ACCESSORIES

PART NO.	CAT. NO.	DESCRIPTION
632632	MASK KIT	Sensor Masking Kit
632633	CM-BKT	Ceiling Mount Bracket
632634	CM-WG	Ceiling Mount Wireguard



Project Name \_\_\_\_\_ Catalog # \_\_\_\_\_

1-800-436-7800 (Support, Option 8) [www.lsi-airlink.com](http://www.lsi-airlink.com)

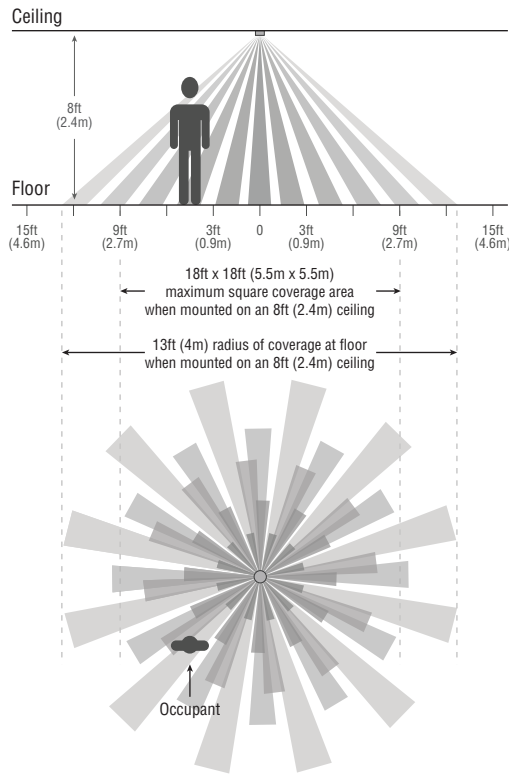
07/27/16

© 2016  
LSI INDUSTRIES INC.

# AIRLINK™ CEILING-MOUNTED WIRELESS OCC/VAC SENSOR (ALCM-W-VS, ALCM-W-OS)

## COVERAGE PATTERN

(If sensor is mounted in center of the room)



## SENSOR COVERAGE CHART

CEILING HEIGHT	MAXIMUM SQUARE COVERAGE AREA*	
8ft (2.4m)	18ft x 18ft (5.5m x 5.5m)	324ft <sup>2</sup> (30.2m <sup>2</sup> )
9ft (2.7m)	20ft x 20ft (6.1m x 6.1m)	400ft <sup>2</sup> (37.2m <sup>2</sup> )
10ft (3.0m)	22ft x 22ft (6.7m x 6.7m)	484ft <sup>2</sup> (44.9m <sup>2</sup> )
12ft (3.7m)	26ft x 26ft (7.9m x 7.9m)	676ft <sup>2</sup> (62.4m <sup>2</sup> )

## SENSOR PLACEMENT

- To detect motion, the sensor requires line-of-sight of room occupants. The sensor must have an unobstructed view of the room. DO NOT mount behind or near tall cabinets, shelves, hanging fixtures, ceiling fans, etc. The sensor cannot see through glass objects such as patio or shower doors.
- Hot objects and moving air currents can affect the performance of the sensor. To ensure proper operation, the sensor should be mounted at least 4 ft (1.2 m) away from HVAC vents and light bulbs that are below the ceiling line.
- The performance of the sensor depends on a temperature differential between the ambient room temperature and that of room occupants. Warmer rooms may reduce the ability of the sensor to detect occupants.
- Devices emitting Radio Frequency (RF) energy can affect the performance of sensors. To ensure proper operation, sensors should be mounted at least 4 ft (1.2 m) away from devices that emit radio waves (e.g., microwave ovens, wireless routers or other wireless devices)

## MOUNTING

Temporary mounting is optional to test sensor coverage and wireless communication before permanently installing the sensor.

### Drop Ceiling (Compressed Fiber Ceiling Tile)

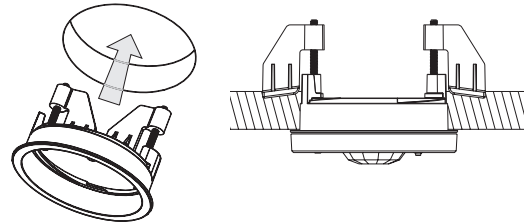
The mounting wire is provided for both temporary and permanent mounting of the sensor to ceiling tiles. It is designed to allow temporary mounting, testing, and repositioning (if necessary) of the sensor without damaging a ceiling tile. Once the final position of the sensor has been chosen, the mounting wire should be twisted together to permanently secure the sensor in place.

### Solid Ceiling (Drywall, Plaster, Concrete, or Wood)

- Permanent mounting: Screws and anchors (for drywall or plaster) provided to mount the sensor.

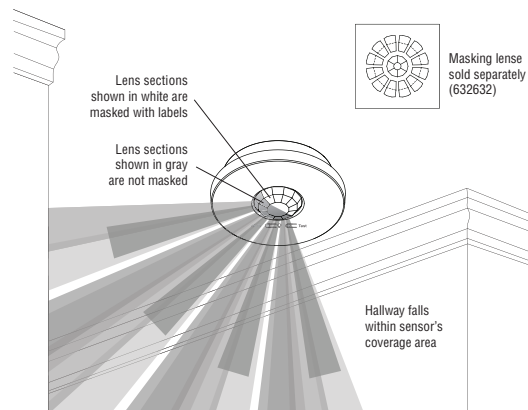
### Recess-Mount

- Do not recess-mount sensor in a metal surface.
- Recess-mounting ring requires an opening of 3 in (76 mm) in diameter.
- Recess-mounting ring secures internally to ceiling. Sensor twists into the recess mounting ring and sits flush with ceiling (see image below).
- Recess-mounting ring purchased as a separate kit (632633)



## LENS MASKING

Whenever possible, the sensor should be installed in a location where it cannot view areas outside the intended space, such as hallways or adjacent rooms. If this situation cannot be avoided, portions of the lens may be masked to block the view of the sensor into undesired areas. Ten (10) lens masks may be purchased in the kit (632632).



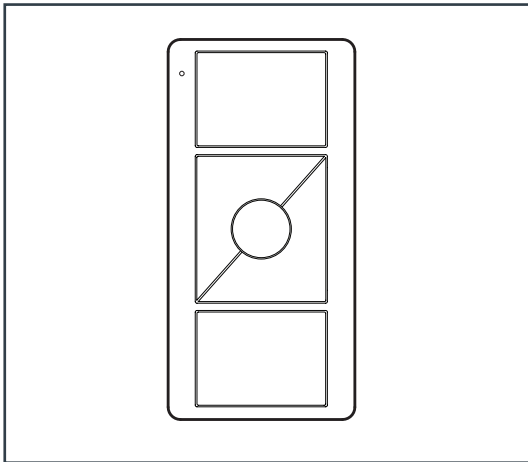
Project Name \_\_\_\_\_ Catalog # \_\_\_\_\_

1-800-436-7800 (Support, Option 8) www.lsi-airlink.com

07/27/16

© 2016  
LSI INDUSTRIES INC.

# AIRLINK™ WIRELESS SWITCH (ALWS)



## OVERVIEW

The AirLink™ wireless switch is a flexible and easy to use device that allows the user to control AirLink™ wireless load-control devices from anywhere in the space. This battery-operated control requires no external power or communication wiring.

## FEATURES

- Control available in a variety of button marking options
- Easy reconfiguration for use as:
  - Handheld remote
  - Wall-mount control (with or without faceplate; faceplate adapter kit sold separately)
  - A table top control (table top pedestal sold separately)
- Battery-powered. Requires no wiring
- 10 year battery life (one CR2032 battery included)
- Can provide control of blinds, curtains, or lighting devices within a range of 30 ft (9 m) through walls and 60 ft (18 m) line-of-sight

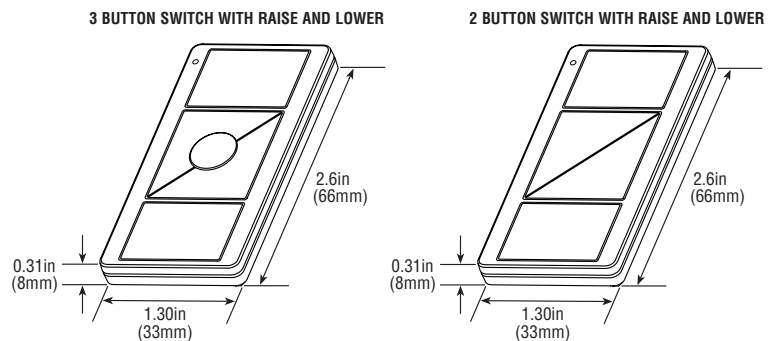
## APPLICATIONS

- Small offices
- Conference rooms
- Lounges
- Classrooms

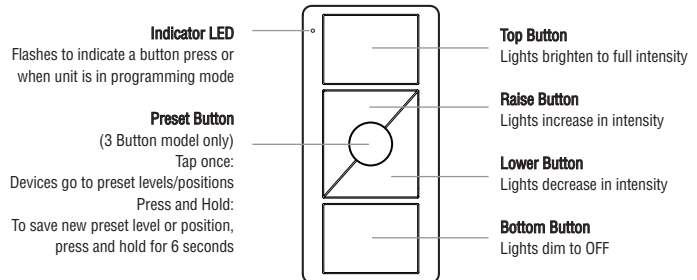
## SPECIFICATIONS

ELECTRICAL	
Regulatory Approvals	<ul style="list-style-type: none"> <li>• Lutron® Quality Systems registered to ISO 9001:2008.</li> <li>• FCC Certified (U.S.A.)</li> <li>• IC Certified (Canada)</li> <li>• COFETEL Certified (Mexico)</li> <li>• SUTEL Certified (Costa Rica)</li> <li>• Anatel Certified (Brazil)</li> </ul>
Power	<ul style="list-style-type: none"> <li>• Operating Voltage: 3V==</li> <li>• (1) CR2032 Battery (included)</li> </ul>
SYSTEM	
System Communication and Capacity	<ul style="list-style-type: none"> <li>• Communicates using Radio Frequency (RF) at 431MHz to 437MHz.</li> <li>• Thousands of system addresses prevent interference between systems.</li> <li>• Can be assigned to control blinds, curtains or lighting devices that are within a 30 ft (9 m) range.</li> </ul>
ENVIRONMENTAL	
Ambient Operating Temperature	32°F to 140°F (0°C to 60°C)
Relative Humidity	Maximum 90% non-condensing; indoor use only
OTHER	
Mounting Considerations	<ul style="list-style-type: none"> <li>• Mounting of any RF devices on or in close proximity to a metal surface will drastically reduce the effective range of radio signal transmission or reception</li> <li>• All RF devices must be mounted on non-conductive materials to ensure proper performance</li> </ul>
Warranty	1 Year Limited Warranty

## DIMENSIONS



## OPERATIONS



**ORDERING INFORMATION** All switches and wall kits available in White (WHT), Ivory (IV), and Light Almond (LA) Example: 624105WHT or ALWS-3B-WHT

PART NO.	CATALOG NO.	DESCRIPTION
624105WHT	ALWS-3B-WHT	AirLink™ Wireless Switch 3 Button in White
624105IV	ALWS-3B-IV	AirLink™ Wireless Switch 3 Button in Ivory
624105LA	ALWS-3B-LA	AirLink™ Wireless Switch 3 Button in Light Almond
624100WHT	ALWS-2B-WHT	AirLink™ Wireless Switch 2 Button in White
624100IV	ALWS-2B-IV	AirLink™ Wireless Switch 2 Button in Ivory
624100LA	ALWS-2B-LA	AirLink™ Wireless Switch 2 Button in Light Almond
624103WHT	ALWS-3B-WHT-KIT	AirLink™ Wireless Switch 3 Button Wall Kit in White (Included in Kit: AirLink™ Wireless Switch, wallplate adapter, and wallbox adapter)
624103IV	ALWS-3B-IV-KIT	AirLink™ Wireless Switch 3 Button Wall Kit in Ivory (Included in Kit: AirLink™ Wireless Switch, wallplate adapter, and wallbox adapter)
624103LA	ALWS-3B-LA-KIT	AirLink™ Wireless Switch 3 Button Wall Kit in Light Almond (Included in Kit: AirLink™ Wireless Switch, wallplate adapter, and wallbox adapter)



Project Name \_\_\_\_\_ Catalog # \_\_\_\_\_

1-800-436-7800 (Support, Option 8) [www.lsi-airlink.com](http://www.lsi-airlink.com)

07/28/16

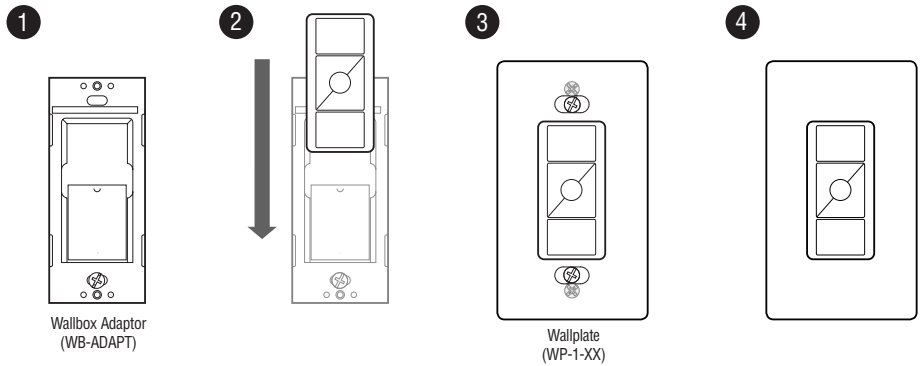
© 2016  
LSI INDUSTRIES INC.

# AIRLINK™ WIRELESS SWITCH ACCESSORIES

## AIRLINK™ WIRELESS SWITCH WALL MOUNTING ACCESSORIES

The AirLink™ 3 button wireless switch can be purchased with a wall mounting kit (see previous page, catalog number: ALWS-3B-XX-KIT) which includes a wallbox adaptor and a wallplate. These accessories can also be purchased separately (see ordering info below).

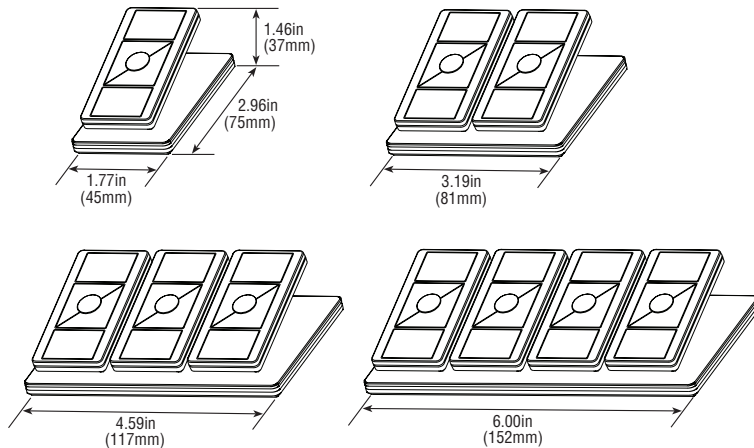
See the 4-step mounting instructions (to the right) for accessory drawings.



## AIRLINK™ WIRELESS SWITCH TABLETOP PEDESTAL ACCESSORIES

The AirLink™ wireless switch can also be attached to a pedestal for handheld or tabletop control. They can be purchased in 1, 2, 3, or 4 gang. All pedestals come in white with a glossy finish. Note that the pedestals are sold separately from the AirLink™ wireless switches and other accessories.

See drawings (to the right) for 1–4 gang pedestal dimensions. Pedestals (with attached AirLink™ wireless switches) can control lighting devices that are within a 30 ft (9 m) range.



## ORDERING INFORMATION

### WALL MOUNTING ACCESSORY ORDERING INFORMATION

All wallplates are available in White (WHT), Ivory (IV), and Light Almond (LA)  
Example: 624124WHT or WP-1-WHT

PART NO.	CATALOG NO.	DESCRIPTION	SWITCH CAPACITY
624123	WB-ADAPT	Wallbox Adaptor	1
624124WHT	WP-1-WHT	Wallplate 1 Gang in White	1
624124IV	WP-1-IV	Wallplate 1 Gang in Ivory	
624124LA	WP-1-LA	Wallplate 1 Gang in Light Almond	
624125WHT	WP-2-WHT	Wallplate 2 Gang in White	2
624125IV	WP-2-IV	Wallplate 2 Gang in Ivory	
624125LA	WP-2-LA	Wallplate 2 Gang in Light Almond	
624127WHT	WP-3-WHT	Wallplate 3 Gang in White	3
624127IV	WP-3-IV	Wallplate 3 Gang in Ivory	
624127LA	WP-3-LA	Wallplate 3 Gang in Light Almond	
624128WHT	WP-4-WHT	Wallplate 4 Gang in White	4
624128IV	WP-4-IV	Wallplate 4 Gang in Ivory	
624128LA	WP-4-LA	Wallplate 4 Gang in Light Almond	

### TABLETOP PEDESTAL ACCESSORY ORDERING INFORMATION

PART NO.	CATALOG NO.	DESCRIPTION	SWITCH CAPACITY
624110	P-1-WHT	Pedestal 1 Gang in White	1
624111	P-2-WHT	Pedestal 2 Gang in White	2
624113	P-3-WHT	Pedestal 3 Gang in White	3
624114	P-4-WHT	Pedestal 4 Gang in White	4



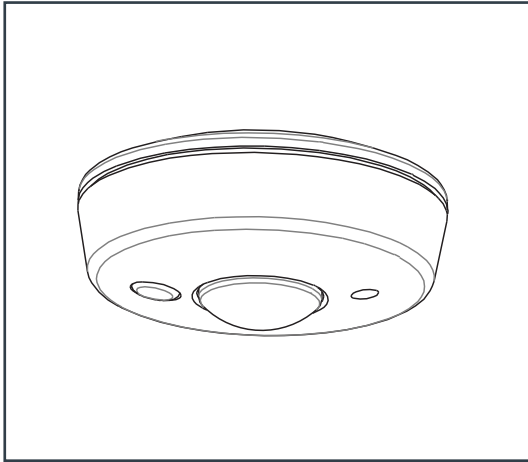
Project Name \_\_\_\_\_ Catalog # \_\_\_\_\_

1-800-436-7800 (Support, Option 8) www.isi-airlink.com

07/28/16

© 2016  
LSI INDUSTRIES INC.

# AIRLINK™ FIXTURE SENSORS (ALOS, ALVS)



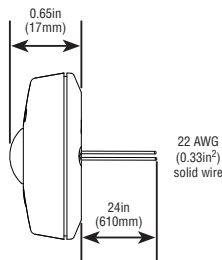
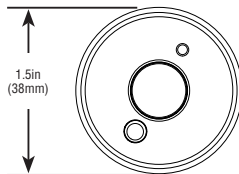
## APPLICATIONS

- Small offices • Conference rooms • Lounges • Classrooms

## SPECIFICATIONS

ELECTRICAL	
Regulatory Approvals	cULus Listed
Wiring	Sensor wires are IEC SELV / NEC® Class 2 rated
Power / Load	<ul style="list-style-type: none"> <li>• Operating voltage: 12V ---</li> <li>• Operating current: 25mA</li> <li>• IEC SELV / NEC® Class 2</li> </ul>
ENVIRONMENTAL	
Ambient Operating Temperature	32°F to 104°F (0°C to 40°C), 0%–90% humidity, non-condensing; indoor use only
GREEN LASER	
Output	<ul style="list-style-type: none"> <li>• Wave output: constant</li> <li>• Wavelength: 532nm</li> <li>• Output power: 5mW maximum</li> </ul>

## DIMENSIONS



## OVERVIEW

The AirLink™ fixture sensor (optional) mounts to the ceiling or to a fixture and measures light in the space (daylighting) while detecting people moving within an area to determine passive infrared occupancy. The sensor controls the lights to balance light level in the space, combining convenience, exceptional energy savings, and ease of installation. The sensor contains two wires which connect to the AirLink™ wireless fixture control (ALC).

## FEATURES

- Occupancy sensor timeout (fixture sensor): 15 minutes
- Utilizes a green laser pointer (see laser warning) to associate AirLink™ wireless switches (ALWS) and AirLink™ ceiling-mounted wireless sensors to AirLink™ wireless fixture controls via RF
- 2-wire connection between an AirLink™ fixture sensor and an AirLink™ wireless fixture control. The wires are interchangeable to eliminate miswiring. Sensor comes with 2 ft (0.6m) of wires. (If hanging pendant fixtures, the maximum wire length between fixture sensor and fixture control is 12ft (3.7m). Sensor should be mounted no more than 2 ft (0.6m) from the fixture)
- Passive infrared motion detection with exclusive Lutron® XCT™ Technology for major and minor motion detection
- Up to 300ft<sup>2</sup> (27.9m<sup>2</sup>) major motion coverage and 150ft<sup>2</sup> (13.9m<sup>2</sup>) minor motion coverage and 360° field-of-view
- Daylight sensor has simple, automatic calibration straight out-of-the-box
- Designed to give a linear response to changes in perceived light level. Detects ambient light level changes from 0 to 150 fc (0 to 1600 lx)

## APPLICATIONS AND SELECTING THE RIGHT CONTROL

### AirLink™ Fixture Sensor:

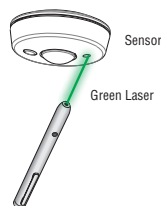
- Great for individual control in cubicles. Maximize energy savings (fixtures in unoccupied spaces do not turn on)
- Simplifies the determination of what is needed for a job

### AirLink™ Ceiling-Mounted Wireless Sensor:

- Cover large areas with a single sensor, which can mount anywhere in the space
- In order to turn on and off multiple fixtures together (known as “grouping”), an AirLink™ ceiling-mounted wireless occupancy sensor must be used.
- In order to have a row of fixtures dim up or down together in response to daylight, an AirLink™ ceiling-mounted wireless daylight sensor must be used.

### Daylighting:

- AirLink™ wireless fixture controls have two options for daylighting. The AirLink™ fixture sensor can be used for simple, out-of-the-box daylighting. The AirLink™ ceiling-mounted wireless daylight sensor can be added for the ability to adjust and fine tune daylighting settings.
- AirLink™ ceiling-mounted wireless daylight sensors provide the ultimate flexibility in daylighting: target light level (tuning) and gain value (through calibration) can be adjusted independently. Daylighting rows/zones can be setup so that multiple fixtures dim in unison. AirLink™ ceiling-mounted wireless daylight sensors can be placed anywhere since they are completely wireless, and performance can be optimized through placement and fine tuning.



**Eye injury and/or blindness hazard; avoid direct eye exposure to laser beam.**

- Use of laser pointer is NOT recommended for use with products located near reflective surfaces.
- Do NOT aim or shine laser pointers at any person, pet, vehicle, or aircraft directly, or through reflection by mirrors or other shiny surfaces. Do NOT view the laser beam through binoculars, magnifying glass, or other optical devices.
- Do NOT allow children to use laser pointers.
- **Read and follow the laser pointer manufacturer's instructions on safe use.** In the event of injury, get medical attention immediately.



Project Name \_\_\_\_\_ Catalog # \_\_\_\_\_

1-800-436-7800 (Support, Option 8) [www.lsi-airlink.com](http://www.lsi-airlink.com)

07/27/16

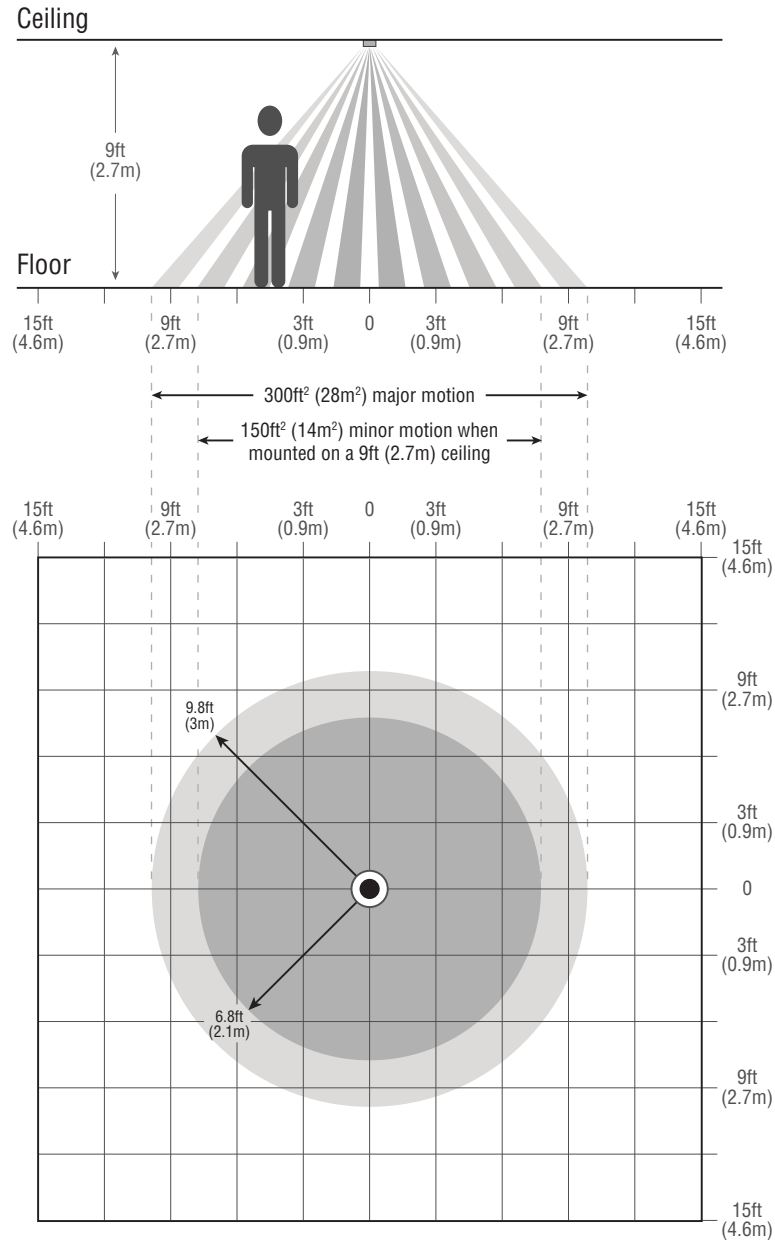
© 2016  
LSI INDUSTRIES INC.

# AIRLINK™ FIXTURE SENSORS (ALOS, ALVS)

## SENSOR RANGE DIAGRAM

Major motion: Movement of a person entering or passing through an area.

Minor motion: Movement of a person occupying an area and engaging in small activities (e.g., reaching for a telephone, turning the pages of a book, opening a file folder, pick up a coffee cup, etc.).



## ORDERING INFORMATION

The AirLink™ fixture sensors (ALOS and ALVS\*) are sold in conjunction with the AirLink™ fixture controller (ALC). You can find the ordering information for these products on any AirLink™ compatible fixture specification sheet.

\* Lights do not turn on automatically with a vacancy sensor. An AirLink™ wireless switch is needed to turn on the lights

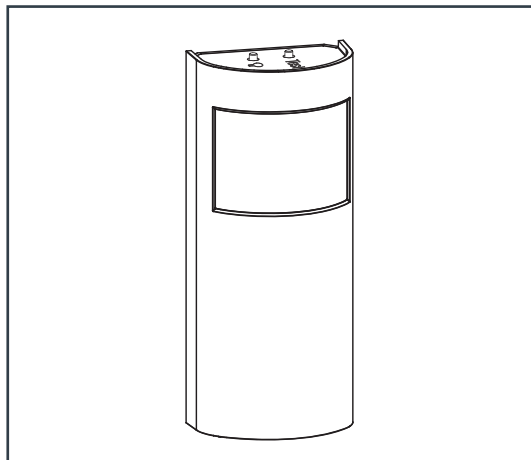


Project Name \_\_\_\_\_ Catalog # \_\_\_\_\_

1-800-436-7800 (Support, Option 8) [www.lsi-airlink.com](http://www.lsi-airlink.com)

07/27/16  
© 2016  
LSI INDUSTRIES INC.

# AIRLINK™ WIRELESS MOUNTED SENSORS (ALWM-W-XX, ALCR-W-XX, ALHW-W-XX)



## APPLICATIONS

- Small offices • Conference rooms • Lounges • Classrooms

## SPECIFICATIONS

ELECTRICAL	
Regulatory Approvals	<ul style="list-style-type: none"> <li>• RoHS compliant</li> <li>• Lutron® Quality Systems Registered to ISO 9001:2008</li> <li>• cULus® listed</li> <li>• FCC certified</li> <li>• IC certified</li> <li>• COFETEL certified</li> <li>• ANATEL certified</li> <li>• SUTEL certified</li> <li>• Meets CA (U.S.A.) Energy Commission Title 24 requirements</li> </ul>
Power / Load	<ul style="list-style-type: none"> <li>• Operating voltage: 3 V<sub>DC</sub></li> <li>• Operating current: 14 µA nominal</li> <li>• Requires one CR 123 lithium battery</li> </ul>
ENVIRONMENTAL	
Ambient Operating Temperature	32°F to 104°F (0°C to 40°C), 0%–90%; indoor use only <b>Note:</b> For unconditioned environments where the air temperature may approach the temperature of the occupants, additional sensors will be needed to achieve the same coverage. This is true of any sensor that relies exclusively on passive infrared technology.
OTHER	
Warranty	5-Year Limited Warranty
Operation	<ul style="list-style-type: none"> <li>• RF Range - Distance between local load controls and sensor should not exceed 60 ft (18 m) line-of-sight or 30 ft (9 m) through walls.</li> </ul>
Tests	<ul style="list-style-type: none"> <li>• Sensor Coverage Test                             <ul style="list-style-type: none"> <li>- Dedicated test button</li> <li>- Lens illuminates orange in response to motion during test mode</li> </ul> </li> <li>• Wireless Communication Test                             <ul style="list-style-type: none"> <li>- Dedicated test button</li> <li>- Turn associated loads on and off</li> </ul> </li> </ul>



## OVERVIEW

The AirLink™ wireless mounted sensors (available in occupancy or vacancy) are battery-powered, passive infrared (PIR) sensors that automatically control lights via RF communication to compatible dimming or switching devices. These sensors detect the heat from people moving within an area to determine when the space is occupied. The sensors then wirelessly transmit the appropriate commands to the associated dimming or switching devices to turn the lights on or off automatically. They combine both convenience and exceptional energy savings along with ease of installation.

## FEATURES

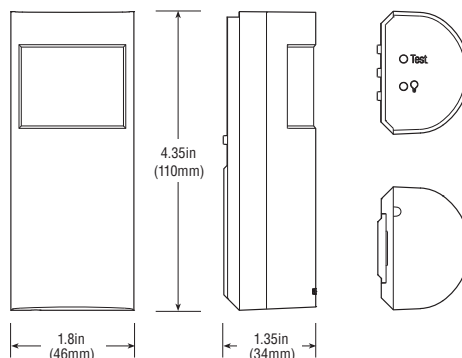
- Wireless occupancy/vacancy sensor has 2 settings available: Auto-On/Auto-Off, and Manual-On/Auto-Off
- Vacancy model meets CA Title 24 requirements
- Passive infrared motion detection with exclusive Lutron® XCT™ Technology for fine motion detection
- 180° field of view model: Minor motion = 1500 ft<sup>2</sup> (139.4 m<sup>2</sup>)  
Major motion = 3000 ft<sup>2</sup> (278.7 m<sup>2</sup>)
- 90° field of view model: Minor motion = 1225 ft<sup>2</sup> (113.8 m<sup>2</sup>)  
Major motion = 2500 ft<sup>2</sup> (232.3 m<sup>2</sup>)
- Hallway model with long, narrow field of view: Major motion = coverage of up to 150 ft (45.7 m)
- Simple and intuitive adjustments available for Auto-On, Timeout and Activity settings:
  - Auto-On Settings:
    - **Enabled:** Sensor turns lights ON and OFF automatically
    - **Disabled\*:** Lights must be turned ON manually from dimming or switching device; sensor turns lights OFF automatically
  - Timeout Options:
    - 1 minute\*\*, 5 minutes, **15 minutes**, 30 minutes
  - Activity Options
    - **Low Activity**, Medium Activity, High Activity
- Accessible test buttons make setup easy
- Lens illuminates during test mode to verify ideal locations
- Multiple sensors can be added for extended coverage; refer to product specification submittal of receiving device to determine system limits
- 10-year battery life design
- Non-volatile memory (saved changes are stored during power loss)

### Default factory settings shown in bold

\* 15 second grace period begins when the lights are automatically turned OFF. They automatically turn back ON in response to motion. This grace period is provided as a safety and convenience feature if the lights turn OFF while the room is still occupied. After 15 seconds, the lights must be manually turned ON

\*\* Intended for use in high-activity, briefly occupied areas only

## DIMENSIONS



Project Name \_\_\_\_\_ Catalog # \_\_\_\_\_

1-800-436-7800 (Support, Option 8) www.lsi-airlink.com

08/12/16

© 2016  
LSI INDUSTRIES INC.

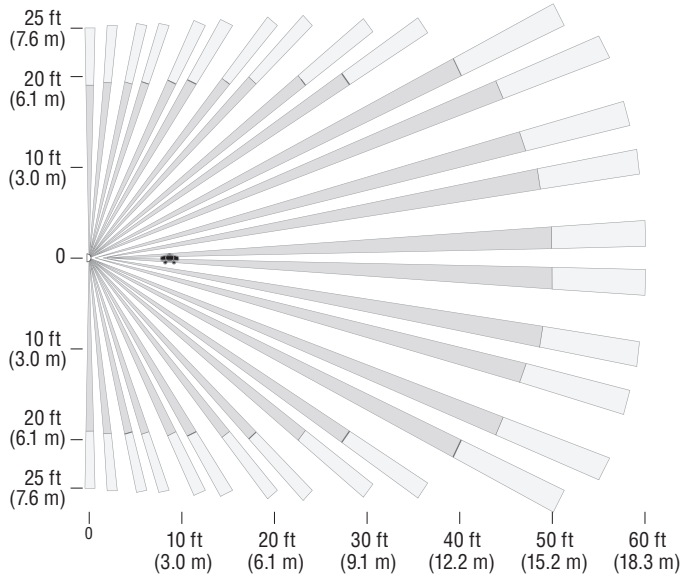
# AIRLINK™ WIRELESS MOUNTED SENSORS (ALWM-W-XX, ALCR-W-XX, ALHW-W-XX)

## COVERAGE DIAGRAMS

### 180° Wall-Mount Sensors

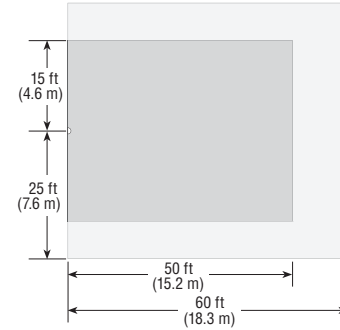
Available in occupancy (ALWM-W-OS) and vacancy (ALWM-W-VS)

**HORIZONTAL BEAM DIAGRAM**

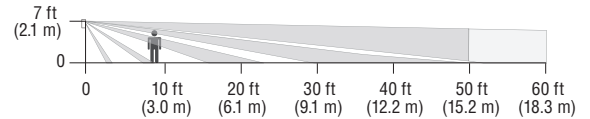


**TESTED COVERAGE AREA**

Major motion coverage: 3000ft<sup>2</sup> (278.7m<sup>2</sup>)  
 Minor motion coverage: 1500ft<sup>2</sup> (139.4m<sup>2</sup>)  
 Compliant to NEMA WD7 test grid (shown below)



**VERTICAL BEAM DIAGRAM\***

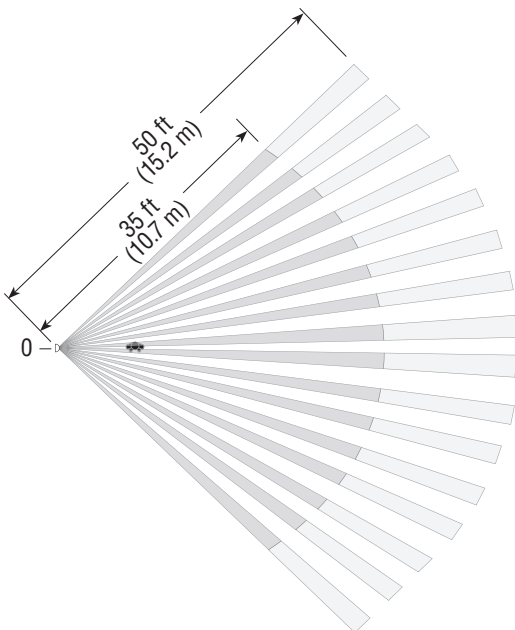


\*Sensor mounting shown at 7ft (2.1m). Mounting height should be between 6ft and 8ft (1.6m and 2.4m)

### 90° Corner-Mount Sensors

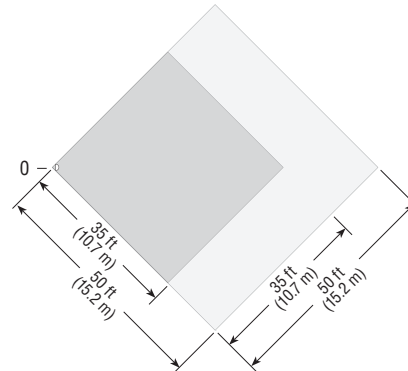
Available in occupancy (ALCR-W-OS) and vacancy (ALCR-W-VS)

**HORIZONTAL BEAM DIAGRAM**

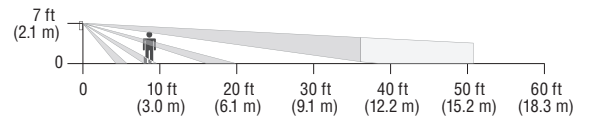


**TESTED COVERAGE AREA**

Major motion coverage: 2500ft<sup>2</sup> (232.3m<sup>2</sup>)  
 Minor motion coverage: 1225ft<sup>2</sup> (113.8m<sup>2</sup>)  
 Compliant to NEMA WD7 test grid (shown below)



**VERTICAL BEAM DIAGRAM\***



\*Sensor mounting shown at 7ft (2.1m). Mounting height should be between 6ft and 8ft (1.6m and 2.4m)





# AIRLINK™ WIRELESS MOUNTED SENSORS (ALWM-W-XX, ALCR-W-XX, ALHW-W-XX)

## COVERAGE DIAGRAMS CONTINUED

### Hallway Sensors

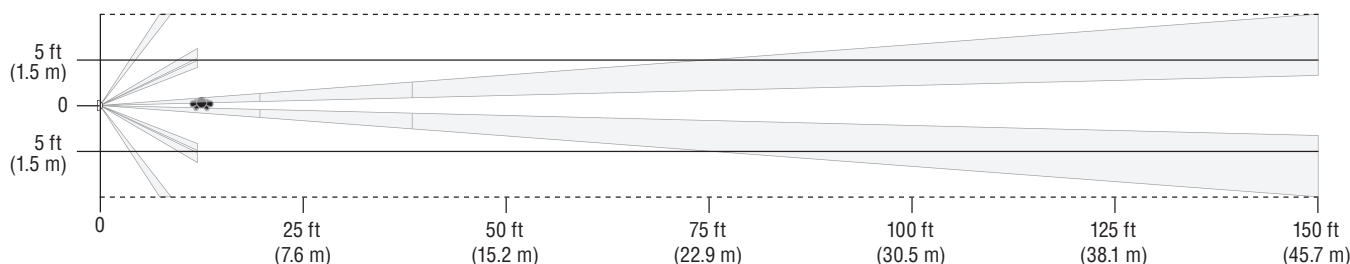
Available in occupancy (ALHW-W-OS) and vacancy (ALHW-W-VS)

- Designed to mount at the end of a hallway with a clear view down the length of a hall
- Detection at longer distances is best when motion occurs at right angles to the sensor
- Multiple sensors can be used to extend coverage

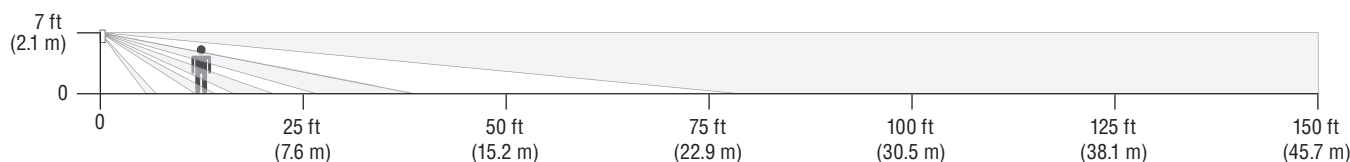
### MAXIMUM RECOMMENDED HALLWAY LENGTH

HALL WIDTH	HALL LENGTH
6ft (1.8m) or less	50ft (15.2m)
8ft (2.4m) or less	100ft (30.5m)
10ft (3.0m) or more	150ft (45.7m)

### TOP VIEW



### SIDE VIEW\*



\*Sensor mounting shown at 7ft (2.1m). Mounting height should be between 6ft and 8ft (1.6m and 2.4m) and centered within hallway.

## ORDERING INFORMATION

### SENSORS

PART NUMBER	CATALOG NUMBER	DESCRIPTION	PLACEMENT
632617	ALWM-W-OS	AirLink™ Wall-Mounted Wireless Occupancy Sensor	Wall
632619	ALWM-W-VS	AirLink™ Wall-Mounted Wireless Vacancy Sensor	
624096	ALCR-W-OS	AirLink™ Corner-Mounted Wireless Occupancy Sensor	Corner
632616	ALCR-W-VS	AirLink™ Corner-Mounted Wireless Vacancy Sensor	
632620	ALHW-W-OS	AirLink™ Hallway Wireless Occupancy Sensor	Hallway
632624	ALHW-W-VS	AirLink™ Hallway Wireless Vacancy Sensor	

### SENSOR ACCESSORIES

PART NUMBER	CATALOG NUMBER	DESCRIPTION	PLACEMENT
632637	HW-BKT	Flexible Mounting Armature	Wall, Hall, Ceiling
632635	WM-WG	Wall-Mounted Wireguard (Accessory for Wall-Mount Sensor)	Wall
632636	CR-WG	Corner-Mounted Wireguard (Accessory for Corner-Mount Sensor)	Corner
632638	HW-WG	Hallway-Mounted Wireguard (Accessory for Hallway-Mount Sensor)	Hallway



Project Name \_\_\_\_\_ Catalog # \_\_\_\_\_

1-800-436-7800 (Support, Option 8) [www.lsi-airlink.com](http://www.lsi-airlink.com)

08/12/16

© 2016  
LSI INDUSTRIES INC.

# AIRLINK™ WIRELESS MOUNTED SENSORS (ALWM-W-XX, ALCR-W-XX, ALHW-W-XX)

## INSTALLATION OVERVIEW

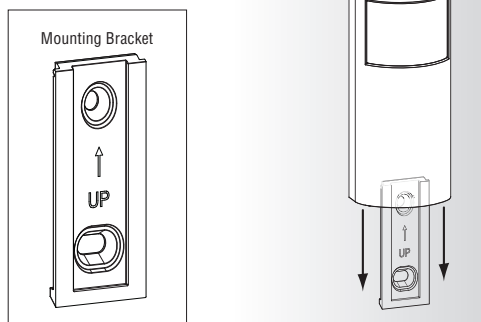
- The mounting height of the sensor should be between 6ft and 8ft (1.6m and 2.4m)
- For smaller rooms less than 12ft x 12ft (3.7m x 3.7m), detection may be improved by mounting the sensor at 6ft (1.8m) from the floor
- The ability to detect motion requires that the sensor have line-of-sight of all room occupants. The sensor must have an unobstructed view of the room. DO NOT mount behind or near tall cabinets, shelves, hanging fixtures, etc. The sensor cannot detect occupants through glass objects such as patio or shower doors
- Hot objects and moving air currents can affect the performance of the sensor. To ensure proper operation, the sensor should be mounted at least 4ft (1.2m) away from light bulbs and HVAC vents
- The performance of the sensor depends on a temperature differential between the ambient room temperature and that of room occupants. Warmer rooms may reduce the sensor's ability to detect occupants
- Distance between local load controls and sensor should not exceed 60ft (18m) line-of-sight or 30ft (9m) through walls

## MOUNTING

- 80° and hallway sensors mount directly to wall with mounting bracket (included). See Figure A
- 90° sensors mount directly in corner or on wall offset away from corner with mounting bracket (included). See Figure B
  - Temporary mounting is recommended to test sensor coverage and wireless communication before permanently installing the sensor.
    - Temporary mounting: A 3M™ Command™ adhesive strip is provided for temporarily mounting and testing the sensor. This strip is designed for easy, damage-free removal and is not reusable.
    - Permanent mounting: Mounting bracket, screws, and anchors are provided to mount sensor.
- The Flexible Mounting Armature, HW-BKT (purchased separately), allows sensors to be mounted at greater heights on a ceiling, wall, or other flat surface.
  - The ball-and-clamp design expands the coverage area for AirLink™ standard wall-, corner-, or hall-mount sensors. See Figure C.
  - Common mounting areas: warehouse aisles, loading docks, long hallways.

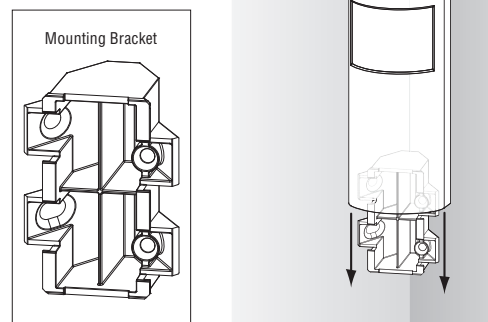
**Figure A**

180° Wall-Mount Sensor (ALWM-W-OS/VS)  
180° Hallway Sensor (ALHW-W-OS/VS)



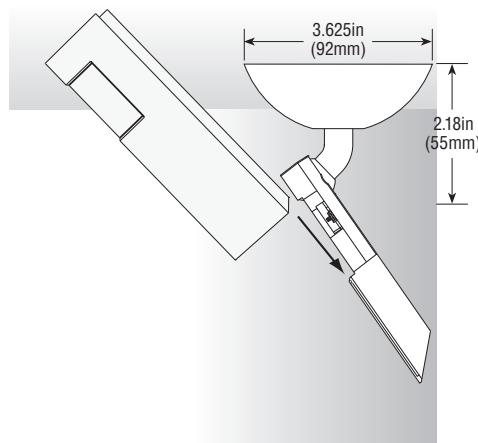
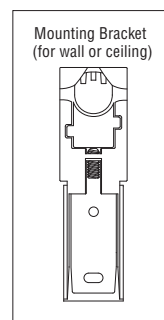
**Figure B**

90° Corner-Mount Sensor (ALCR-W-OS/VS)



**Figure C**

Flexible Mounting Armature  
(sold separately: HW-BKT)



3M and Command are trademarks of 3M Company



Project Name \_\_\_\_\_ Catalog # \_\_\_\_\_

1-800-436-7800 (Support, Option 8) [www.lsi-airlink.com](http://www.lsi-airlink.com)

08/12/16

© 2016  
LSI INDUSTRIES INC.

# LED HIGH EFFICIENCY, EXPANSIVE CAVITY RECESSED (ASC)



## PRODUCT HIGHLIGHTS

- Long life, high brightness LEDs virtually eliminate maintenance.
- RoHS compliant, recyclable “green” design contains no mercury or other hazardous materials.
- Cooler running electronic components allow for improved lumen performance.
- Specifically designed to spread uniform illumination throughout the room cavity from ceiling to floor.
- Available with AirLink™ wireless controls for maximum energy savings.

**EXPECTED LIFE** - Projected life of at least 60,000 hours. Contact factory for TM-21 detail.

**LEDs** - Use of closely spaced medium-power, high brightness chips minimizes pixelation and provides uniform lens luminance. Available in Cool White (5000K), Neutral White (4000K) and Warm White (3500K) color temperatures. CRI >= 80. LM\_80 reports available.

**HOUSING** - Formed code-gauge steel housing, painted after fabrication. Integral NEC-compliant earthquake clips are standard.

**FINISH** - All metal parts are painted after fabrication following treatment with phosphate rust inhibitor. Finish coating of housing reflecting surfaces is with high-reflectance (minimum 92%) matte white polyester powder. Matte white reflectors for soft indirect light distribution.

**LENS** - Specially designed frosted extruded acrylic lens with micro prisms for maximum source diffusion and soft, even illumination.

**INSTALLATION** - Unit simply lifts through grid ceiling and rests on T-bars. Wiring access/strain relief plate attaches with one screw, allowing connections to be made from below the ceiling.

**ELECTRICAL** - Universal voltage (120-277 Vac, 50/60 Hz input), Power factor > 0.9, THD < 20%, in-rush current < 15 Amps.

**DRIVER** - High-performance driver features over-voltage, under voltage, short-circuit and over temperature protection. Class A sound rating. 0-10 volt dimming (1% - 100%) standard.

**AirLink™** - LSI AirLink™ controls featuring Lutron Clear Connect makes each luminaire controllable, creating a wireless communication with other AirLink™ control devices such as dimmers, switches, occupancy sensors and photocontrols. The integrated sensor is both a passive infrared motion detector and photocell. The photocell provides a simple out-of-the-box daylight harvesting solution. The motion detector uses exclusive Lutron XCT™ technology which provides fine motion detection and 360° sensor field-of-range.

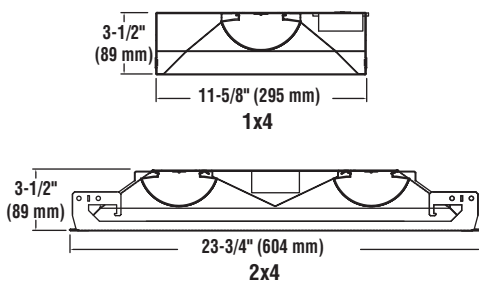
**OPERATING TEMPERATURE** - -40°C - +40°C (-40°F - +104°F)

**WARRANTY** - Limited 5-year warranty.

**PHOTOMETRICS** - Please visit our web site at [www.lsi-industries.com](http://www.lsi-industries.com) for detailed photometric data.

**LISTING** - Listed to UL 1598 and UL 8750. Suitable For Damp Locations. IC Rated. For a list of the specific products in this series that are DLC listed, please consult the LED Lighting section of our website or the Design Lights website at [www.designlights.org](http://www.designlights.org).

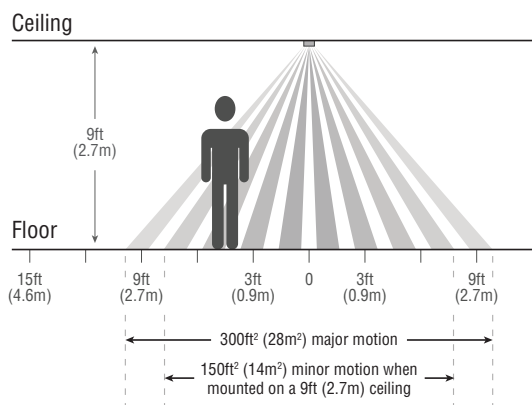
## DIMENSIONS



LIGHT OUTPUT - ASC								
Description	SS - Super Saver			HO - High Output			Watts	
	WW	NW	CW	WW	NW	CW	SS	HO
2 x 2	2875	2990	3515	3400	3520	4175	30	37
2 x 4	4630	5150	5575	5675	6265	6855	45	54
1 x 4	2890	2935	3455	3440	3490	4095	30	37

LED Chips are frequently updated therefore values may increase.

## AirLink™ ALOS AND ALVS COVERAGE PATTERN



This product, or selected versions of this product, meet the standards listed below. Please consult factory for your specific requirements.



Project Name \_\_\_\_\_ Fixture Type \_\_\_\_\_  
 Catalog # \_\_\_\_\_

10/04/16  
 © 2016  
 LSI INDUSTRIES INC.

# LED HIGH EFFICIENCY, EXPANSIVE CAVITY RECESSED (ASC)

## LUMINAIRE ORDERING INFORMATION

TYPICAL ORDER EXAMPLE: **ASC24 LED HO NW UE ALOS EM**

Prefix	Shield	Light Source	Output	Color Temperature	Line Voltage	Controls	Options
ASC14 - (1x4) <sup>3</sup> ASC22 - (2x2) ASC24 - (2x4)	(blank) - Acrylic	LED	SS - Super Saver HO - High Output	CW - Cool White (5000K) NW - Neutral White (4000K) WW - Warm White (3500K)	UE - Universal Voltage (120-277V)  347 - 347V <sup>1</sup>	Blank (none) ALC - AirLink™ Controller ALOS - AirLink™ Controller w/ Occupancy Sensor ALVS - AirLink™ Controller w/ Vacancy Sensor	EM - Emergency Battery FC1 - 6' 3/8" (3) #18 Leads (For Use In Non-Dimming Applications) FC15D - 6' 3/8" (5) #18 Leads (For Use In Dimming Applications) SD50 - Step Dimming to 50% L3D - Lutron Hi-lume 1% LDE1 - Lutron Hi-lume 1% (with Soft-On, Fade-to-Black) LDE5 - Lutron 5-Series

### ACCESSORY ORDERING INFORMATION (Accessories are field installed)

Description	Order Number
Flange Kit - 1x4	FK14
Flange Kit - 2x2	FK22
Flange Kit - 2x4	FK24

### AIRLINK™ CONTROL ACCESSORIES Order as separate catalog number. Visit <http://www.lsi-airlink.com> for complete listing of AirLink™ controls.

Wireless switches	Catalog number	Part Number	Wireless Occupancy Sensors	Part Number
On/Off & Raise Lower	ALWS 3B-(color)-KIT <sup>2</sup>	624103CLR <sup>2</sup>	Wireless 360° 400 ft <sup>2</sup> , Ceiling Mount	624094
			Wireless 180° 3000 ft <sup>2</sup> , Wall Mount	632617
Wireless Photocell controls	Catalog number	Part Number	Wireless 90° 2500 ft <sup>2</sup> , Corner Mount	Part Number
On/Off & Dimming	ALCM-W-PC	624090	Wireless, Hallway 150 ft Length	632620
<b>Commission Laser Kit</b> (See Laser warnings)	AL-CLK	634574		

#### FOOTNOTES:

- 1 - Not available with AirLink
- 2 - Available colors are White, Ivory and Light Almond (WHT, IV, LA)
- 3 - ASC14 not available with ALOS or ALVS

#### LASER Warnings:

Warning: Eye injury and/or blindness hazard; avoid direct eye exposure to laser beam.

- Use of laser pointer is NOT recommended for use with AirLink products located near reflective surfaces.
- Do NOT aim or shine laser pointers at any person, pet, vehicle, or aircraft directly, or through reflection by mirrors or other shiny surfaces.
- Do NOT view the laser beam through binoculars, magnifying glass, or other optical devices.
- Do NOT allow children to use laser pointers.
- Read and follow the laser pointer manufacturer's instructions on safe use. In the event of injury, get medical attention immediately.



Project Name \_\_\_\_\_ Fixture Type \_\_\_\_\_

Catalog # \_\_\_\_\_

10/04/16

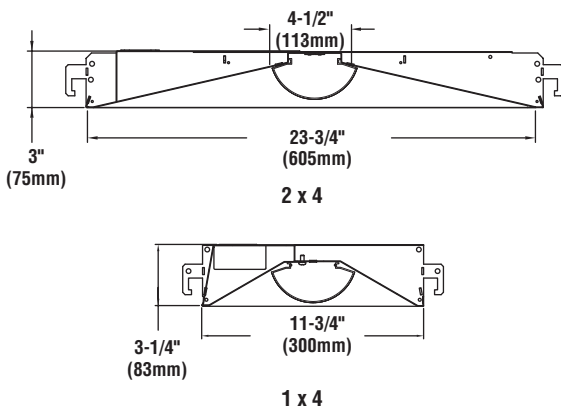
© 2016

LSI INDUSTRIES INC.

# LED LOW PROFILE RECESSED TROFFER (LPASC)



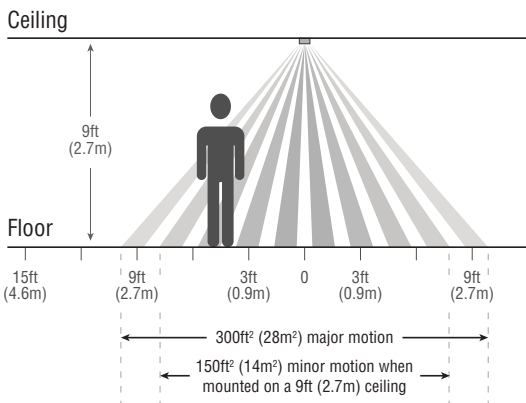
## DIMENSIONS



	SS - Super Saver			HO - High Output			Watts	
	WW	NW	CW	WW	NW	CW	SS	HO
LPASC14 -(1X4)	3075	3295	3695	3580	3860	4330	29	35
LPASC22 -(2X2)	2810	3060	3430	3320	3620	4055	29	35
LPASC24 -(2X4)	3525	3790	4275	4320	4656	5185	36	46

LED Chips are frequently updated therefore values may increase.

## AirLink™ ALOS AND ALVS COVERAGE PATTERN



## PRODUCT HIGHLIGHTS

- Long life, high brightness LEDs virtually eliminate maintenance.
- RoHS compliant, recyclable “green” design contains no mercury or other hazardous materials.
- Cooler running electronic components allow for improved lumen performance.
- Direct/Indirect lighting delivers even illumination throughout the space.
- Available with AirLink™ wireless controls for maximum energy savings.

**EXPECTED LIFE** - Projected life of at least 60,000 hours. Contact factory for TM-21 detail.

**LEDs** - Use of closely spaced medium-power, high brightness chips minimizes pixelation and provides uniform lens luminance. Available in Cool White (5000K), Neutral White (4000K) and Warm White (3500K) color temperatures. CRI  $\geq$  80. LM\_80 reports available.

**HOUSING** - Formed code-gauge steel housing, painted after fabrication. Integral NEC-compliant earthquake clips are standard.

**FINISH** - All metal parts are painted after fabrication following treatment with phosphate rust inhibitor. Finish coating of housing reflecting surfaces is with high-reflectance (minimum 92%) matte white polyester powder. Matte white reflectors for soft indirect light distribution.

**LENS** - Frosted extruded acrylic lens with micro prisms for maximum diffusion, even illumination.

**INSTALLATION** - Unit simply lifts through grid ceiling and rests on T-bars. Wiring access/strain relief plate attaches with one screw, allowing connections to be made from below the ceiling.

**ELECTRICAL** - Universal voltage (120-277 Vac, 50/60 Hz input), Power factor  $>$  0.9, THD  $<$  20%, in-rush current  $<$  15 Amps.

**DRIVER** - High-performance driver features over-voltage, under voltage, short-circuit and over temperature protection. Class A sound rating. 0-10 volt dimming (1% - 100%) standard.

**AirLink™** - LSI AirLink™ controls featuring Lutron Clear Connect makes each luminaire controllable, creating a wireless communication with other AirLink™ control devices such as dimmers, switches, occupancy sensors and photocontrols. The integrated sensor is both a passive infrared motion detector and photocell. The photocell provides a simple out-of-the-box daylight harvesting solution. The motion detector uses exclusive Lutron XCT™ technology which provides fine motion detection and 360° sensor field-of-range.

**OPERATING TEMPERATURE** -  $-40^{\circ}\text{C}$  -  $+40^{\circ}\text{C}$  ( $-40^{\circ}\text{F}$  -  $+104^{\circ}\text{F}$ )

**WARRANTY** - Limited 5-year warranty.

**PHOTOMETRICS** - Please visit our web site at [www.lsi-industries.com](http://www.lsi-industries.com) for detailed photometric data.

**LISTING** - Listed to UL 1598 and UL 8750. Suitable For Damp Locations. IC Rated. For a list of the specific products in this series that are DLC listed, please consult the LED Lighting section of our website or the Design Lights website at [www.designlights.org](http://www.designlights.org).

This product, or selected versions of this product, meet the standards listed below. Please consult factory for your specific requirements.



Project Name \_\_\_\_\_ Fixture Type \_\_\_\_\_  
 Catalog # \_\_\_\_\_

10/04/16  
 © 2016  
 LSI INDUSTRIES INC.

# LED LOW PROFILE RECESSED TROFFER (LPASC)

## LUMINAIRE ORDERING INFORMATION

TYPICAL ORDER EXAMPLE: **LPASC24 LED HO NW UE ALOS EM**

Prefix	Light Source	Output	Color Temperature	Line Voltage	Controls	Options
LPASC14 - (1x4) <sup>1</sup> LPASC22 - (2x2) LPASC24 - (2x4)	LED	SS -Super Saver HO - High Output	CW - Cool White (5000K) NW - Neutral White (4000K) WW - Warm White (3500K)	UE - Universal Input Voltage (120-277V)  347 - 347V <sup>2</sup>	Blank (none) ALC - AirLink™ Controller ALOS - AirLink™ Controller w/ Occupancy Sensor ALVS - AirLink™ Controller w/ Vacancy Sensor	EM - Emergency Battery FC1 - 6' 3/8" (3) #18 Leads (For Use In Non-Dimming Applications) FC15D - 6' 3/8" (5) #18 Leads (For Use In Dimming Applications) SD50 - Step Dimming to 50% L3D - Lutron Hi-lume 1% LDE1 - Lutron Hi-lume 1% (with Soft-On, Fade-to-Black) LDE5 - Lutron 5-Series

### ACCESSORY ORDERING INFORMATION (Accessories are field installed)

Description	Order Number
Flange Kit - 1x4	FK14
Flange Kit - 2x2	FK22
Flange Kit - 2x4	FK24

### AIRLINK™ CONTROL ACCESSORIES Order as separate catalog number. Visit <http://www.lsi-airlink.com> for complete listing of AirLink™ controls.

Wireless switches	Catalog number	Part Number	Wireless Occupancy Sensors	Part Number
On/Off & Raise Lower	ALWS 3B-(color)-KIT <sup>3</sup>	624103CLR <sup>3</sup>	Wireless 360° 400 ft <sup>2</sup> , Ceiling Mount	624094
			Wireless 180° 3000 ft <sup>2</sup> , Wall Mount	632617
Wireless Photocell controls	Catalog number	Part Number	Wireless 90° 2500 ft <sup>2</sup> , Corner Mount	Part Number
On/Off & Dimming	ALCM-W-PC	624090	Wireless, Hallway 150 ft Length	632620
<b>Commission Laser Kit</b> (See Laser warnings)	AL-CLK	634574		

#### FOOTNOTES:

- 1 - LPASC14 not available with ALOS or ALVS
- 2 - Not available with AirLink
- 3 - Available colors are White, Ivory and Light Almond (WHT, IV, LA)

#### LASER Warnings:

- Warning: Eye injury and/or blindness hazard; avoid direct eye exposure to laser beam.
- Use of laser pointer is NOT recommended for use with AirLink products located near reflective surfaces.
  - Do NOT aim or shine laser pointers at any person, pet, vehicle, or aircraft directly, or through reflection by mirrors or other shiny surfaces.
  - Do NOT view the laser beam through binoculars, magnifying glass, or other optical devices.
  - Do NOT allow children to use laser pointers.
  - Read and follow the laser pointer manufacturer's instructions on safe use. In the event of injury, get medical attention immediately.



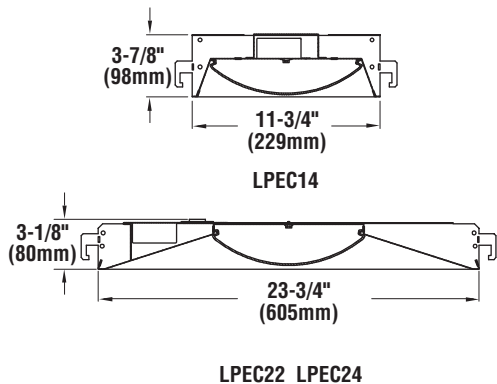
Project Name \_\_\_\_\_ Fixture Type \_\_\_\_\_  
Catalog # \_\_\_\_\_

10/04/16  
© 2016  
LSI INDUSTRIES INC.

# LED LOW PROFILE RECESSED TROFFER (LPEC)



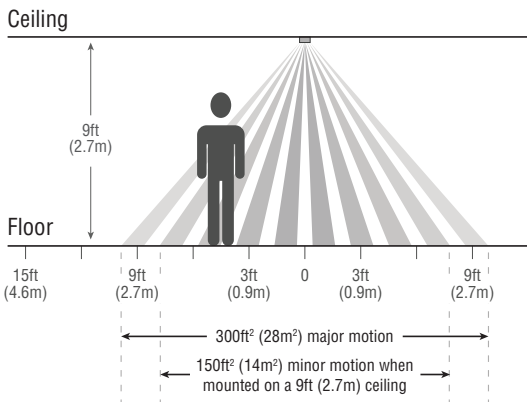
## DIMENSIONS



LIGHT OUTPUT - LPEC									
	SS - Super Saver			HO - High Output			Watts		
	WW	NW	CW	WW	NW	CW	SS	HO	
LPEC14 -(1X4)	3050	3200	3650	4305	4520	5125	29	46	
LPEC22 -(2X2)	2880	3025	3450	4040	4250	4870	29	46	
LPEC24 -(2X4)	3530	3670	4195	4200	4485	5130	36	47	
LPEC24 -(2X4)	VHO - Very High Output			Watts					
	WW	NW	CW	VHO	VHO				
	5915	6190	7080	60	60				

LED Chips are frequently updated therefore values may increase.

## AirLink™ ALOS AND ALVS COVERAGE PATTERN



## PRODUCT HIGHLIGHTS

- Long life, high brightness LEDs virtually eliminate maintenance.
- RoHS compliant, recyclable “green” design contains no mercury or other hazardous materials.
- Cooler running electronic components allow for improved lumen performance.
- Direct/Indirect lighting delivers even illumination throughout the space.
- Available with AirLink™ wireless controls for maximum energy savings.

**EXPECTED LIFE** - Projected life of at least 60,000 hours. Contact factory for TM-21 detail.

**LEDs** - Use of closely spaced medium-power, high brightness chips minimizes pixelation and provides uniform luminance. Available in Cool White (5000K), Neutral White (4000K) and Warm White (3500K) color temperatures. CRI >= 80. LM\_80 reports available.

**HOUSING** - Formed code-gauge steel housing, painted after fabrication. Integral NEC-compliant earthquake clips are standard.

**FINISH** - All metal parts are painted after fabrication following treatment with phosphate rust inhibitor. Finish coating of housing reflecting surfaces is with high-reflectance (minimum 92%) matte white polyester powder.

**LENS** - High transmittance acrylic, full radius lens with minimum diode visibility.

**INSTALLATION** - Unit simply lifts through grid ceiling and rests on T-bars. Wiring access/strain relief plate attaches with one screw, allowing connections to be made from below the ceiling.

**ELECTRICAL** - Universal voltage (120-277 Vac, 50/60 Hz input), Power factor > 0.9, THD < 20%, in-rush current < 15 Amps.

**DRIVER** - High-performance driver features over-voltage, under voltage, short-circuit and over temperature protection. Class A sound rating. 0-10 volt dimming (1% - 100%) standard.

**AirLink™** - LSI AirLink™ controls featuring Lutron Clear Connect makes each luminaire controllable, creating a wireless communication with other AirLink™ control devices such as dimmers, switches, occupancy sensors and photocontrols. The integrated sensor is both a passive infrared motion detector and photocell. The photocell provides a simple out-of-the-box daylight harvesting solution. The motion detector uses exclusive Lutron XCT™ technology which provides fine motion detection and 360° sensor field-of-range.

**OPERATING TEMPERATURE** - -40°C - +40°C (-40°F - +104°F)

**WARRANTY** - Limited 5-year warranty.

**PHOTOMETRICS** - Please visit our web site at [www.lsi-industries.com](http://www.lsi-industries.com) for detailed photometric data.

**LISTING** - Listed to UL 1598 and UL 8750. Suitable For Damp Locations. IC Rated. For a list of the specific products in this series that are DLC listed, please consult the LED Lighting section of our website or the Design Lights website at [www.designlights.org](http://www.designlights.org).

This product, or selected versions of this product, meet the standards listed below. Please consult factory for your specific requirements.



Project Name \_\_\_\_\_ Fixture Type \_\_\_\_\_  
 Catalog # \_\_\_\_\_

10/04/16  
 © 2016  
 LSI INDUSTRIES INC.

# LED LOW PROFILE RECESSED TROFFER (LPEC)

## LUMINAIRE ORDERING INFORMATION

TYPICAL ORDER EXAMPLE: **LPEC24 LED HO NW UE ALOS EM**

Prefix	Light Source	Drive Current	Color Temperature	Line Voltage	Controls	Options
LPEC14 - (1x4) <sup>1</sup> LPEC22 - (2x2) LPEC24 - (2x4)	LED	SS -Super Saver HO - High Output VHO - Very High Output <sup>2</sup>	CW - Cool White (5000K) NW - Neutral White (4000K) WW - Warm White (3500K)	UE - Universal Voltage (120-277V)  347 - 347V <sup>3</sup>	Blank (none) ALC - AirLink™ Controller ALOS - AirLink™ Controller w/ Occupancy Sensor ALVS - AirLink™ Controller w/ Vacancy Sensor	EM - Emergency Battery FC1 - 6' 3/8" (3) #18 Leads (For Use In Non-Dimming Applications) FC15D - 6' 3/8" (5) #18 Leads (For Use In Dimming Applications) SD50 - Step Dimming to 50% L3D - Lutron Hi-lume 1% LDE1 - Lutron Hi-lume 1% (with Soft-On, Fade-to-Black) LDE5 - Lutron 5-Series

### ACCESSORY ORDERING INFORMATION (Accessories are field installed)

Description	Order Number
Flange Kit - 2x4	FK24
Flange Kit - 2x2	FK22
Flange Kit - 1x4	FK14

### AIRLINK™ CONTROL ACCESSORIES Order as separate catalog number. Visit <http://www.lsi-airlink.com> for complete listing of AirLink™ controls.

Wireless switches	Catalog number	Part Number	Wireless Occupancy Sensors	Part Number
On/Off & Raise Lower	ALWS 3B-(color)-KIT <sup>4</sup>	624103CLR <sup>4</sup>	Wireless 360° 400 ft <sup>2</sup> , Ceiling Mount	624094
			Wireless 180° 3000 ft <sup>2</sup> , Wall Mount	632617
Wireless Photocell controls	Catalog number	Part Number	Wireless 90° 2500 ft <sup>2</sup> , Corner Mount	Part Number
On/Off & Dimming	ALCM-W-PC	624090	Wireless, Hallway 150 ft Length	632620
<b>Commission Laser Kit</b> (See Laser warnings)	AL-CLK	634574		

#### FOOTNOTES:

- 1 - LPEC14 not available with ALOS or ALVS
- 2 - VHO available in 2x4 only.
- 3 - Not available with AirLink
- 4 - Available colors are White, Ivory and Light Almond (WHT, IV, LA)

#### LASER Warnings:

- Warning: Eye injury and/or blindness hazard; avoid direct eye exposure to laser beam.
- Use of laser pointer is NOT recommended for use with AirLink products located near reflective surfaces.
  - Do NOT aim or shine laser pointers at any person, pet, vehicle, or aircraft directly, or through reflection by mirrors or other shiny surfaces.
  - Do NOT view the laser beam through binoculars, magnifying glass, or other optical devices.
  - Do NOT allow children to use laser pointers.
  - Read and follow the laser pointer manufacturer's instructions on safe use. In the event of injury, get medical attention immediately.



Project Name \_\_\_\_\_ Fixture Type \_\_\_\_\_  
Catalog # \_\_\_\_\_

10/04/16  
© 2016  
LSI INDUSTRIES INC.



# LED SIDE LIGHT RECESSED TROFFER (SLI)



## PRODUCT HIGHLIGHTS

- Long life, high brightness LEDs virtually eliminate maintenance.
- RoHS compliant, recyclable “green” design contains no mercury or other hazardous materials.
- Cooler running electronic components allow for improved lumen performance.
- Indirect unit with balanced illumination from sides of fixture and superior, low angle brightness control.
- Available with AirLink™ wireless controls for maximum energy savings.

**EXPECTED LIFE** - Projected life of at least 60,000 hours. Contact factory for TM-21 detail.

**LEDs** - Use of closely spaced medium-power, high brightness chips minimizes pixelation and provides uniform luminance. Available in Cool White (5000K), Neutral White (4000K) and Warm White (3500K) color temperatures. CRI  $\geq$  80. LM\_80 reports available.

**HOUSING** - Formed code-gauge steel housing, painted after fabrication. Integral NEC-compliant earthquake clips are standard.

**FINISH** - All metal parts are painted after fabrication following treatment with phosphate rust inhibitor. Finish coating of housing reflecting surfaces is with high-reflectance (minimum 92%) matte white polyester powder.

**INSTALLATION** - Unit simply lifts through grid ceiling and rests on T-bars. Wiring access/strain relief plate attaches with one screw, allowing connections to be made from below the ceiling.

**ELECTRICAL** - Universal voltage (120-277 Vac) Input 50/60 Hz. Power factor  $>$  0.95, THD  $<$  20%

**DRIVER** - High-performance isolated driver features over-voltage, under-voltage, short-circuit and over temperature protection. Class A sound rating. 0-10 volt dimming (1% - 100%) standard.

**AirLink™** - LSI AirLink™ controls featuring Lutron® Clear Connect™ makes each luminaire controllable, creating a wireless communication with other AirLink™ control devices such as dimmers, switches, occupancy sensors and photocontrols. The integrated sensor is both a passive infrared motion detector and photocell. The photocell provides a simple out-of-the-box daylight harvesting solution. The motion detector uses exclusive Lutron XCT™ technology which provides fine motion detection and 360° sensor field-of-range.

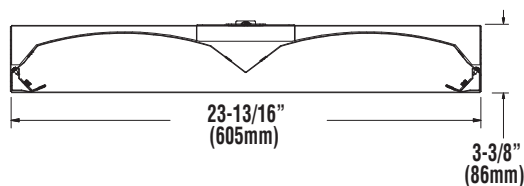
**OPERATING TEMPERATURE** - -40°C - +40°C (-40°F - +104°F)

**WARRANTY** - Limited 5-year warranty.

**PHOTOMETRICS** - Please visit our web site at [www.lsi-industries.com](http://www.lsi-industries.com) for detailed photometric data.

**LISTING** - Listed to UL 1598 and UL 8750. Suitable For Damp Locations. IC Rated.

## DIMENSIONS



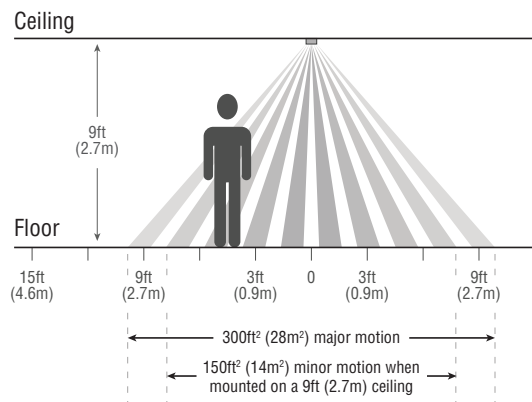
END VIEW

2 x 2 Length = 23-13/16" (605mm)  
2 x 4 Length = 47-13/16" (1214mm)

LIGHT OUTPUT - SLI								
	SS - Super Saver			HO - High Output			Watts	
	WW	NW	CW	WW	NW	CW	SS	HO
SLI22 (2X2)	2569	2408	2991	2973	3083	3517	29	36
SLI24 (2X4)	4004	4184	4797	5035	5269	6012	45	59

LED Chips are frequently updated therefore values may increase.

## AirLink™ ALOS AND ALVS COVERAGE PATTERN



This product, or selected versions of this product, meet the standards listed below. Please consult factory for your specific requirements.



Project Name \_\_\_\_\_ Fixture Type \_\_\_\_\_  
Catalog # \_\_\_\_\_

10/04/16  
© 2016  
LSI INDUSTRIES INC.

# LED SIDE LIGHT RECESSED TROFFER (SLI)

## LUMINAIRE ORDERING INFORMATION

TYPICAL ORDER EXAMPLE: **SLI24 LED HO NW UE ALOS EM**

Prefix	Light Source	Drive Current	Color Temperature	Line Voltage	Controls	Options (factory installed)
SLI22 - (2x2) SLI24 - (2x4)	LED	SS - Super Saver HO - High Output	CW - Cool White (5000K)  NW - Neutral White (4000K)  WW - Warm White (3500K)	UE - Universal Voltage (120-277V)  347-347V <sup>1</sup>	Blank (none)  ALC - AirLink™ Controller  ALOS - AirLink™ Controller w/ Occupancy Sensor  ALVS - AirLink™ Controller w/ Vacancy Sensor	EM - Emergency Battery FC1 - 6' 3/8" (3) #18 Leads (For Use In Non-Dimming Applications) FC15D - 6' 3/8" (5) #18 Leads (For Use In Dimming Applications) SD50 - Step Dimming to 50% L3D - Lutron Hi-lume 1% LDE1 - Lutron Hi-lume 1% (with Soft-On, Fade-to-Black) LDE5 - Lutron 5-Series

### ACCESSORY ORDERING INFORMATION (Accessories are field installed)

Description	Order Number
Flange Kit - 2x4	FK24
Flange Kit - 2x2	FK22

### AIRLINK™ CONTROL ACCESSORIES Order as separate catalog number. Visit <http://www.lsi-airlink.com> for complete listing of AirLink™ controls.

Wireless switches	Catalog number	Part Number	Wireless Occupancy Sensors	Model number	Part Number
On/Off & Raise Lower	ALWS 3B-(color)-KIT <sup>2</sup>	624103CLR <sup>2</sup>	Wireless 360° 400 ft <sup>2</sup> , Ceiling Mount	ALCM-W-OS	624094
			Wireless 180° 3000 ft <sup>2</sup> , Wall Mount	ALWM-W-OS	632617
Wireless Photocell controls	Catalog number	Part Number	Wireless 90° 2500 ft <sup>2</sup> , Corner Mount		
On/Off & Dimming	ALCM-W-PC	624090	Wireless, Hallway 150 ft Length	ALCR-W-OS	624096
				ALHW-W-OS	632620
<b>Commission Laser Kit</b> (See Laser warnings)	AL-CLK	634574			

### FOOTNOTES:

- 1 - Not available with AirLink
- 2 - Available colors are White, Ivory and Light Almond (WHT, IV, LA)

#### LASER Warnings:

- Warning: Eye injury and/or blindness hazard; avoid direct eye exposure to laser beam.
- Use of laser pointer is NOT recommended for use with AirLink products located near reflective surfaces.
  - Do NOT aim or shine laser pointers at any person, pet, vehicle, or aircraft directly, or through reflection by mirrors or other shiny surfaces.
  - Do NOT view the laser beam through binoculars, magnifying glass, or other optical devices.
  - Do NOT allow children to use laser pointers.
  - Read and follow the laser pointer manufacturer's instructions on safe use. In the event of injury, get medical attention immediately.



Project Name \_\_\_\_\_ Fixture Type \_\_\_\_\_  
Catalog # \_\_\_\_\_

10/04/16  
© 2016  
LSI INDUSTRIES INC.

# ARCHITECTURAL LED TROFFER - TRIUMPH (TRI)



US & Int'l. patents pending

## PRODUCT HIGHLIGHTS

- Long Life, high brightness LED's virtually eliminate maintenance.
- RoHS compliant, recyclable "green" design contains no mercury or other hazardous materials.
- Cooler running electronic components allow for improved lumen performance.
- Direct unit with balanced illumination and superior, low angle brightness control.
- Available with AirLink™ wireless controls for maximum energy savings.

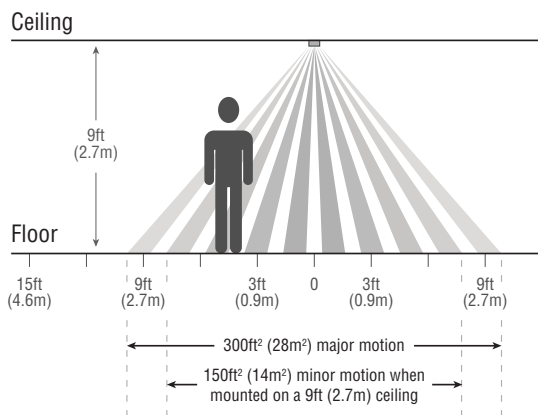
## DOE LIGHTING FACTS

Department of Energy has verified representative product test data and results in accordance with its Lighting Facts Program. Visit [www.lightingfacts.com](http://www.lightingfacts.com) for specific catalog strings.

LIGHT OUTPUT - XALM						
		Lumens (Nominal)				Watts (Nominal)
		3000K	3500K	4000K	5000K	
TRI22 (2x2)	LW	2363	2432	2623	2883	28
	SS	2723	2801	3022	3321	34
	HO	3667	3773	4070	4473	43
TRI24 (2x4)	SS	3938	4052	4371	4804	44
	HO	4821	4960	5351	5881	55
TRI24 (2x4)	VHO	7630	7850	8468	9306	84

LED Chips are frequently updated therefore values may increase.

## AirLink™ ALOS AND ALVS COVERAGE PATTERN



**EXPECTED LIFE** - Projected life of at least 60,000 hours. Contact factory for TM-21 detail.

**LEDs** - Use of closely spaced medium-power, high brightness chips minimizes pixelation and provides uniform lens luminance. Available in 5000K, 4000K, 3500K, and 3000K color temperatures. CRI  $\geq$  80

**HOUSING** - 20-gauge cold rolled steel housing, painted after fabrication. Integral NEC-compliant earthquake clips are standard.

**FINISH** - All metal parts are painted after fabrication following treatment with phosphate rust inhibitor. Finish coating of housing reflecting surfaces is with high-reflectance (minimum 92%) polyester powder.

**LENS** - High transmission opal lens eliminates bright spots from individual LED's and provides high vertical illumination and visual comfort. Made from impact-resistant .080" acrylic.

**INSTALLATION** - Unit simply lifts through grid ceiling and rests on T-bars. Wiring access/strain relief plate attaches with one screw, allowing connections to be made from below the ceiling.

**ELECTRICAL** - Universal voltage (120-277 Vac) Input 50/60 Hz. Power factor  $>$  0.95, THD  $<$  20%

**DRIVER** - High-performance driver features over-voltage, under voltage, short-circuit and over temperature protection. Class A sound rating. 0-10 volt dimming (1% - 100%) standard.

**AirLink™** - LSI AirLink™ controls featuring Lutron Clear Connect makes each luminaire controllable, creating a wireless communication with other AirLink™ control devices such as dimmers, switches, occupancy sensors and photocontrols. The integrated sensor is both a passive infrared motion detector and photocell. The photocell provides a simple out-of-the-box daylight harvesting solution. The motion detector uses exclusive Lutron XCT™ technology which provides fine motion detection and 360° sensor field-of-range.

**OPERATING TEMPERATURE** - -40°C to +40°C (-40°F to +104°F)

**WARRANTY** - LSI LED fixtures carry a limited 5-year warranty.

**PHOTOMETRICS** - Please visit our web site at [www.lsi-industries.com](http://www.lsi-industries.com) for detailed photometric data.

**LISTING** - Listed to UL 1598 and UL 8750. Suitable For Damp Locations. IC Rated.

This product, or selected versions of this product, meet the standards listed below. Please consult factory for your specific requirements.



Project Name \_\_\_\_\_ Fixture Type \_\_\_\_\_  
 Catalog # \_\_\_\_\_

10/04/16  
 © 2016  
 LSI INDUSTRIES INC.

# ARCHITECTURAL LED TROFFER - TRIUMPH (TRI)

## LUMINAIRE ORDERING INFORMATION

TYPICAL ORDER EXAMPLE: **TRI24 LED HO 30 UE ALOS EM**

Prefix	Light Source	Output	Color Temperature	Input Voltage	Controls	Options
TRI22 - (2x2) TRI24 - (2x4)	LED	LW - Low Watt HO - High Output VHO - Very High Output	30 - 3000K 35 - 3500K 40 - 4000K 50 - 5000K	UE - Universal Voltage (120-277V)  347-480V <sup>1</sup>	Blank (none) ALC - AirLink™ Controller ALOS - AirLink™ Controller w/ Occupancy Sensor ALVS - AirLink™ Controller w/ Vacancy Sensor	EM - Emergency Battery FC1 - 6' 3/8" (3) #18 Leads (For Use In Non-Dimming Applications) FC15D - 6' 3/8" (5) #18 Leads (For Use In Dimming Applications) SD50 - Step Dimming to 50% L3D - Lutron Hi-lume 1% LDE1 - Lutron Hi-lume 1% (with Soft-On, Fade-to-Black) LDE5 - Lutron 5-Series

### ACCESSORY ORDERING INFORMATION (Accessories are field installed)

Description	Order Number
Flange Kit - 2x4	FK24
Flange Kit - 2x2	FK22

### AIRLINK™ CONTROL ACCESSORIES Order as separate catalog number. Visit <http://www.lsi-airlink.com> for complete listing of AirLink™ controls.

Wireless switches	Catalog number	Part Number	Wireless Occupancy Sensors	Part Number
On/Off & Raise Lower	ALWS 3B-(color)-KIT <sup>2</sup>	624103CLR <sup>2</sup>	Wireless 360° 400 ft², Ceiling Mount	624094
			Wireless 180° 3000 ft², Wall Mount	632617
Wireless Photocell controls	Catalog number	Part Number	Wireless 90° 2500 ft², Corner Mount	Part Number
On/Off & Dimming	ALCM-W-PC	624090	Wireless, Hallway 150 ft Length	632620
<b>Commission Laser Kit</b> (See Laser warnings)	AL-CLK	634574		

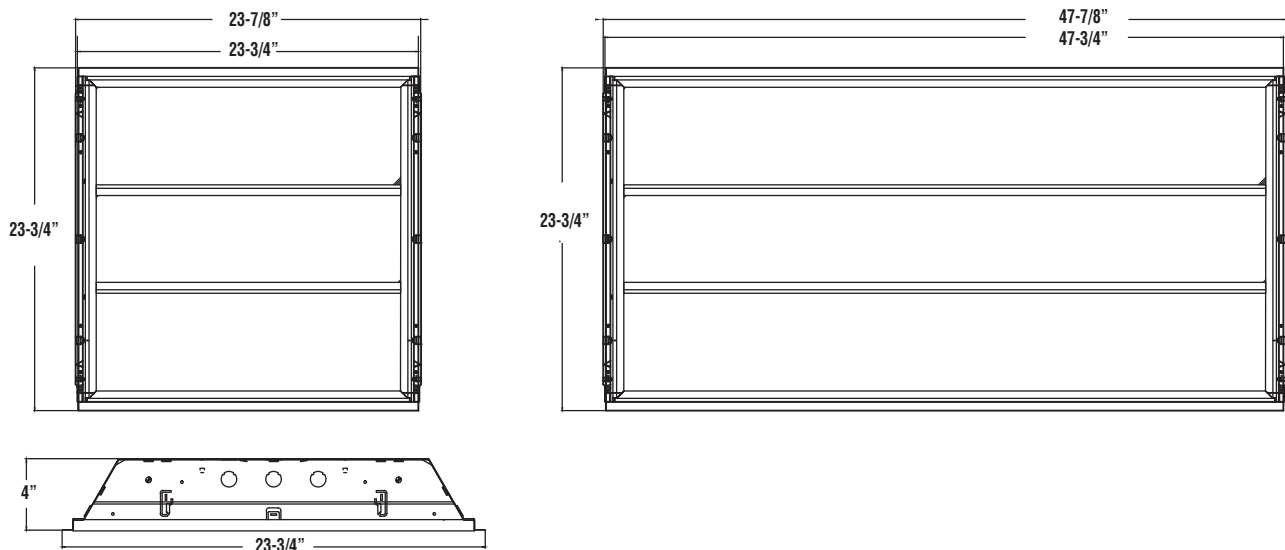
#### FOOTNOTES:

- 1 - Not available with AirLink
- 2 - Available colors are White, Ivory and Light Almond (WHT, IV, LA)

#### LASER Warnings:

- Warning: Eye injury and/or blindness hazard; avoid direct eye exposure to laser beam.
- Use of laser pointer is NOT recommended for use with AirLink products located near reflective surfaces.
  - Do NOT aim or shine laser pointers at any person, pet, vehicle, or aircraft directly, or through reflection by mirrors or other shiny surfaces.
  - Do NOT view the laser beam through binoculars, magnifying glass, or other optical devices.
  - Do NOT allow children to use laser pointers.
  - Read and follow the laser pointer manufacturer's instructions on safe use. In the event of injury, get medical attention immediately.

## DIMENSIONS



Project Name \_\_\_\_\_ Fixture Type \_\_\_\_\_  
 Catalog # \_\_\_\_\_

10/04/16  
 © 2016  
 LSI INDUSTRIES INC.



LSI AirLink™ Wireless Controlled  
Lighting compatible with



# Introducing New 2'x2' and 2'x4' Triumph™ Architectural Troffers

- Multiple outputs from 2,300 - 9,300 lumens
- Up to 110 lumens per watt
- 3000K, 3500K, 4000K and 5000K CCT
- 0-10V Dimming driver standard (1% - 100%)
- LSI AirLink™ Controls available, featuring Lutron® Clear Connect™ Wireless Technology and factory installed occupancy/daylight sensor



- High transmission opal lens eliminates bright spots; provides high vertical illumination and visual comfort



**ARRA**  
Funding Compliant



**ROHS**  
COMPLIANT



Lutron and the Clear Connect Wireless logo are trademarks of Lutron Electronics Co., Inc.



10000 Alliance Road | Phone 513.793.3200  
Cincinnati, Ohio 45242 | Fax 513.793.0147

[www.lsi-industries.com](http://www.lsi-industries.com)

# LPEC LED Low Profile Recessed Troffer

## Leading Specification Features

Crossover®  
LED LIGHTING TECHNOLOGY



### Marketing Positioning Statement

The LPEC's low profile design makes it ideal for shallow plenum applications. Available in 2'x2', 2'x4' and 1'x4' sizes, this LED direct/indirect fixture delivers even illumination with excellent, low angle brightness control throughout the space. Utilizing a high transmittance acrylic full radius lens, the LPEC has minimum diode visibility. Cooler running electronic components allow for improved lumen performance with lumen outputs ranging from 2797 through 6871 total lumens and availability in cool white, neutral white or warm white color temperatures. Installation is quick and easy as the LPEC simply lifts through the grid ceiling, rests on T-bars and electrical connections are conveniently made from below the ceiling. LPEC, providing unmatched lighting performance in a low profile recessed LED troffer.



## Proprietary Thermal Management System

**Thermal Management** Cooler running electronic components allow for improved lumen performance

Designed to maximize surface area improving distribution and exchange of heat to surroundings

## Outstanding Uniformity & Visual Comfort

**Even Illumination** Direct/Indirect lighting delivers even illumination throughout the space

Excellent, low angle brightness control  
Unmatched lighting performance in a low profile recessed troffer

**Lens** High transmittance acrylic, full radius lens

Minimum diode visibility

Cleans easily

**Lumen Output** Wide range of lumen outputs available by varying the drive currents and LED color temperature

Range of 2964 to 4974 lumens (nominal) for LPEC14

Range of 2797 to 4727 lumens (nominal) for LPEC22

Range of 3430 to 6871 lumens (nominal) for LPEC24

LIGHT OUTPUT - LPEC								
	SS - Super Saver			HO - High Output			Watts	
	WW	NW	CW	WW	NW	CW	SS	HO
LPEC14 -(1X4)	2964	3100	3539	4181	4388	4974	29	46
LPEC22 -(2X2)	2797	2939	3346	3924	4127	4727	29	46
LPEC24 -(2X4)	3430	3562	4071	4079	4353	4982	36	47
LPEC24 -(2X4)	VHO - Very High Output			Watts				
	WW	NW	CW	VHO				
	5742	6009	6871	60				

LED Chips are frequently updated therefore values may increase.

## Leading Selection of Light Output Options

**Photometrics** LM79 & LM80 reports available  
Application assistance available on request

**LEDs** Closely spaced medium-power, high brightness chips

Minimizes pixilation and provides uniform lens luminance

Available in Cool White (5000K), Neutral White (4000K) or Warm White (3500K)

**Color Rendering Index** CRI of 80 (CW > 70) facilitates recognition of specific colors of various objects to meet industry standards

**Three Drive Currents** SS, HO and VHO available

Expands available solutions for customer specific applications

SS is the most energy efficient, while HO and VHO can be utilized to drive for greater lumen outputs

**Input Voltage** Universal voltage 120V thru 277V (50/60hz input): 347V also available

## ***Unparalleled Speed & Ease of Installation***

**Mounting** Unit simply lifts through grid ceiling and rests on T-bars

Wiring access/strain relief plate attaches with one screw

Allows electrical connections to be made from below the ceiling

**Maintenance-Free** Once installed, LPEC is virtually maintenance free

Drivers and key electronic components can easily be accessed from below the ceiling

## ***Exceptional Reliability in a Recessed Troffer***

**Environmentally Responsible** With exceptional “green” technology, LPEC is RoHS compliant

Design contains no mercury or other hazardous materials

Greater than 80% recyclable by weight

**Housing** Formed code-gauge steel housing

Painted after fabrication

Integral NEC-compliant earthquake clips are standard

**Attractive/Clean Styling** Performance, energy efficiency and maintenance benefits of LED in a low profile housing

**Driver** High-performance isolated driver  
  
Features over-voltage, over-current and short-circuit (with auto recovery) protection

0-10V dimming driver

**Finish** All parts painted after fabrication following treatment with phosphate rust inhibitor

Finish coating of reflecting surfaces is with high reflectance (minimum 92%) polyester powder

**Long-Life** Minimum 60,000 hours depending upon ambient temperature of installation location

Once installed, virtually maintenance free

**Protection** Driver module is sealed to IP66 protection levels

Class A sound rating

**Warranty** Limited 5-year warranty

**Listing** Listed to UL 1598 and UL 8750

Suitable for damp locations

IC rated

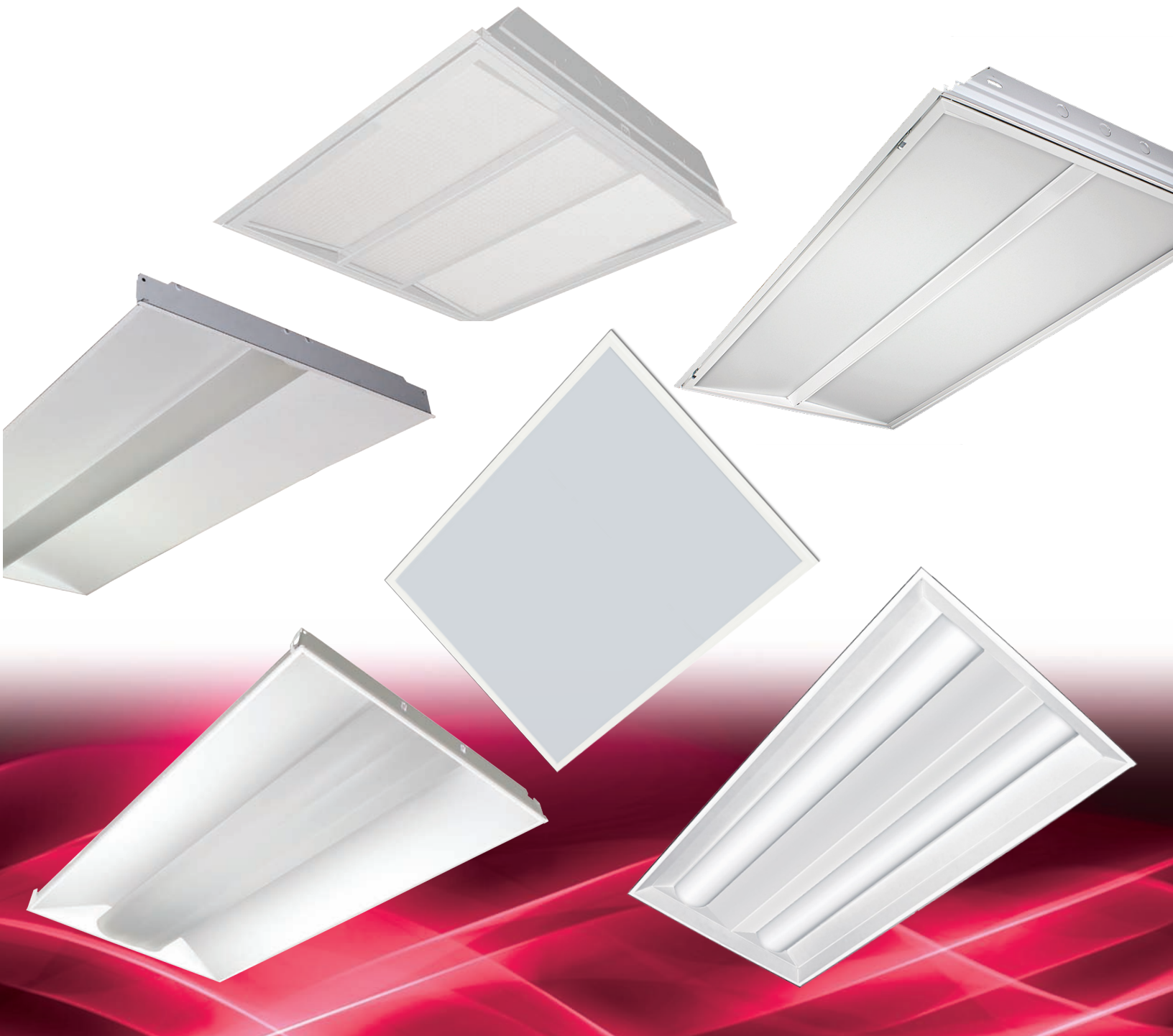
**DLC** Selected versions of this product are on the DLC Qualified Products List (QPL). Consult the LSI website or the DLC QPL website at [www.designlights.org](http://www.designlights.org) for specific products listed.


























# LED Recessed Lighting



# LED Recessed Lighting

	DIRECT/INDIRECT							FRAMED LENS				LOUVERED
SERIES	LPASC	LPEC	LPRT	ASC	SLI	PEC-RAD	SHPEC	ELFP	GA	GA TSLR	Triumph	LEL
												
DESCRIPTION	Low Profile Direct/Indirect Lighting	Direct/Indirect Lighting Low Profile for Shallow Plenum Applications	Lowest Profile Direct/Indirect Lighting Proprietary Low Profile Lens	Dual Lenses Soft Even Illumination from Ceiling to Floor Low Profile Lens	Indirect Side Lit Diodes Open Cavity No Lens	Direct/Indirect Lighting Balanced Illumination / Low Angle Brightness Control	Low Profile Telescoping Housing Allows Installation in Tightest Plenums Tri-Radius Lens Does Not Extend Below Ceiling Line	Edge-Lit Flat Panel Light	Low Profile Flat Prismatic P12 Lens Steel Door Frame	Low Profile High Diffusion Opal Acrylic Split Angled Lens Steel Door Frame	Specification Grade Recseed Troffer Deliver Even Illumination and provides Maximum Visual Comfort	Low Profile Deep Louver for Improved Cutoff
SIZE	2 x 4, 2 x 2, 1 x 4	2 x 4, 2 x 2, 1 x 4	2 x 4, 2 x 2, 1 x 4	2 x 4, 2 x 2, 1 x 4	2 x 4, 2 x 2	2 x 4, 2 x 2, 1 x 4	2 x 4, 2 x 2	2 x 4, 2 x 2, 1 x 4	2 x 4, 2 x 2, 1 x 4	2 x 4, 2 x 2	2x4, 2x2	2 x 4,
COLOR TEMPERATURE (Nominal)	Cool White (5000K) Neutral White (4000K) Warm White (3500K)	Cool White (5000K) Neutral White (4000K) Warm White (3500K)	Cool White (5000K) Neutral White (4000K) Warm White (3500K)	Cool White (5000K) Neutral White (4000K) Warm White (3500K)	Cool White (5000K) Neutral White (4000K) Warm White (3500K)	Cool White (5000K) Neutral White (4000K) Warm White (3500K)	Cool White (5000K) Neutral White (4000K) Warm White (3500K)	50 - (5000K) 40 - (4000K) 35 - (3500K)	Cool White (5000K) Neutral White (4000K) Warm White (3500K)	Cool White (5000K) Neutral White (4000K) Warm White (3500K)	50 - (5000K) 40 - (4000K) 35 - (3500K) 30 - (3000K)	Cool White (5000K) Neutral White (4000K) Warm White (3500K)
LUMEN (Range)	2 x 4: 3525 - 5185 2 x 2: 2810 - 4055 1 x 4: 3075 - 4330	2 x 4: 3530 - 7080 2 x 2: 2880 - 4870 1 x 4: 3050 - 5125	2 x 4: 3515 - 7110 2 x 2: 2820 - 5060 1 x 4: 2930 - 5110	2 x 4: 4630 - 6855 2 x 2: 2875 - 4175 1 x 4: 2890 - 4095	2 x 4: 4004 - 6012 2 x 2: 2408 - 3517	2 x 4: 4860 - 10925 2 x 2: 3490 - 5370 1 x 4: 2950 - 4175	2 x 4: 43470 - 7030 2 x 2: 1390 - 4005	2 x 4: 4789 - 4924 2 x 2: 3604 - 3986 1 x 4: 3749 - 4110	2 x 4: 5160 - 9595 2 x 2: 3027 - 4825 1 x 4: 3215 - 5070	2 x 4: 4820 - 9940 2 x 2: 2805 - 5155	2 x 4: 4047 - 9299 2 x 2: 2483 - 4650	2 x 4: 5050 - 7575
LPW (Max)	2 x 4: 118 2 x 2: 118 1 x 4: 127	2 x 4: 118 2 x 2: 118 1 x 4: 125	2 x 4: 122 2 x 2: 124 1 x 4: 122	2 x 4: 126 2 x 2: 117 1 x 4: 115	2 x 4: 108 2 x 2: 102	2 x 4: 132 2 x 2: 119 1 x 4: 128	2 x 4: 117 2 x 2: 118	2 x 4: 109 2 x 2: 110 1 x 4: 1154	2 x 4: 114 2 x 2: 109 1 x 4: 115	2 x 4: 118 2 x 2: 122	2 x 4: 110 2 x 2: 110	2 x 4: 136
INPUT WATTS (Range)	29-46	29-46	27-58	30-54	29-59	27 - 86	14-60	36 - 45	29-88	29-88	27 - 84	45-61
CRI	≥80	≥80	≥80	≥80	≥80	≥80	≥80	≥80	≥80	≥80	≥80	≥85
HOUSING DEPTH	2 1/2"	3 1/8"	2 1/4"	3 1/2"	3 3/8"	5 1/16"	2 1/8"	2 3/8"	3 1/4"	3 1/4"	4"	4"
DIMMING	Yes	Yes	Yes	Yes	Yes	Yes	Yes	Yes	Yes	Yes	Yes	Yes
CONTROLS	AirLink™ Enabled	AirLink™ Enabled	Consult Factory	AirLink™ Enabled	AirLink™ Enabled	Consult Factory					AirLink™ Enabled	Consult Factory
DLC					No	No	No				No	No
WARRANTY	5 Years	5 Years	5 Years	5 Years	5 Years	5 Years	5 Years	5 Years	5 Years	5 Years	5 Years	5 Years

For a list of the specific products in this series that are DLC listed, please consult the LED section of our website or the Design Lights website at [www.designlights.org](http://www.designlights.org).



## About AirLink™ Controlled Lighting

LSI AirLink™ is a new family of controlled LED luminaires featuring integrated Lutron® Clear Connect™ Wireless Technology. Integrated motion and light level sensors ensure maximum energy savings, quality and comfort, while wireless controls enable occupants to easily operate individual or groups of fixtures. AirLink™ boasts easy and fast installation, quick setup and can be used to meet stringent energy code requirements and support LEED certification. Please refer to the matrix to see which luminaires are AirLink™ enabled.



## About LSI Industries, Inc.

LSI is a leading manufacturer and supplier of IMAGE-enhancing interior & exterior LED Lighting Fixtures, Lighting Controls, Poles/Brackets and Graphics. LSI utilizes its advanced technological capabilities to develop and sell energy-efficient, innovative products across commercial, industrial, banking, petroleum, quick serve restaurant, and automotive segments, to name a few. Operations span the globe, with concentrations in North America, Latin America and Australia. LSI is traded on NASDAQ under LYTS and can be visited online at <http://www.lsi-industries.com>
























# Automotive LED Interior Lighting



# Automotive LED Interior Lighting

SHOWROOM & OFFICE AREA									SERVICE BAY AREA			
SERIES	ASC	PEC	SLI	LPEC	XIRR	ELFP	AUL/AUM	LAD6	PMX	XLHB2	Triumph	EG3
												
DESCRIPTION	Dual Lenses Soft Even Illumination from Ceiling to Floor Low Profile Lens	Direct/Indirect Lighting Balanced Illumination / Low Angle Brightness Control	Indirect Side lit Diodes Open Cavity No Lens	Direct/Indirect Lighting Low Profile for Shallow Plenum Applications	Round Recessed fixture for high mounting heights	Edge-Lit Flat Panel Light	High Bay Lighting with Symmetrical Distribution Shallow Acrylic Prismatic Refractor Multiple Mounting Options and Housing Finish Colors	Direct Lighting 6" Architectural Round Recessed Downlight Open Reflector, White Trim	Excellent High Bay Lighting Shallow Fixture Depth Rugged Fixture with Unique Hinged & Latched Door Frame (Optional)	Linear Design Delivers Efficient, Uniform, High Lumen Output for Most Applications Symmetric, Symmetric w/ Diffused Lens, or Aisle Lighter Distribution	Specification Grade Recseed Troffer Deliver Even illumination and provides Maximum Visual Comfort	Enclosed & Gasketed Wet Location Vaportight
SIZE (FEET)	2 x 4, 2 x 2, 1 x 4	2 x 4, 2 x 2, 1 x 4	2 x 4, 2 x 2	2 x 4, 2 x 2, 1 x 4	2 x 2	2 x 4, 2 x 2, 1 x 4	AUL - 22" Dia. Refractor AUM - 16" Dia. Refractor	6" round	15 11/16 x 48	14 x 47 5/8	2x4, 2x2	4 FT, 8FT
HOUSING DEPTH (INCHES)	3 1/2	5 1/16	3 3/8	3 1/8	3.5	2 3/8"	AUL - 8 1/2 AUM - 6 7/8	7 1/2	4 3/4	4	4	4 1/2
COLOR TEMPERATURE (Nominal)	Cool White (5000K) Neutral White (4000K) Warm White (3500K)	Cool White (5000K) Neutral White (4000K) Warm White (3500K)	Cool White (5000K) Neutral White (4000K) Warm White (3500K)	Cool White (5000K) Neutral White (4000K) Warm White (3500K)	Cool White (5000K) Neutral White (4000K) Warm White (3500K)	Cool White (5000K) Neutral White (4000K) Warm White (3500K)	50 - (5000K) 40 - (4000K) 35 - (3500K)  AUM 50 - (5000K) 40 - (4000K) 35 - (3500K) 30 - (3000K)	40 - (4000K) 35 - (3500K) 30 - (3000K)	Cool White (5000K) Neutral White (4000K) Warm White (3500K)	50 - (5000K) 40 - (4000K)	50 - (5000K) 40 - (4000K) 35 - (3500K) 30 - (3000K)	Cool White (5000K) Neutral White (4000K) Warm White (3500K)
LUMEN (Range)	2 x 4: 4630 - 6855 2 x 2: 2875 - 4175 1 x 4: 2890 - 4095	2 x 4: 4860 - 10925 2 x 2: 3490 - 5370 1 x 4: 2950 - 4175	2 x 4: 4004 - 6012 2 x 2: 2408 - 3517	2 x 4: 3530 - 7080 2 x 2: 2880 - 4870 1 x 4: 3050 - 5125	13000 - 19000	2 x 4: 4789 - 4924 2 x 2: 3604 - 3986 1 x 4: 3749 - 4110	AUL - 15489 - 23923 AUM - 8170 - 15734	1321-4103	10335 - 16400	6256 - 42452	2 x 4: 4047 - 9299 2 x 2: 2483- 4650	4FT: 6390 - 7360 8FT: 12048 - 14720
LPW (Max)	2 x 4: 126 2 x 2: 117 1 x 4: 115	2 x 4: 132 2 x 2: 119 1 x 4: 128	2 x 4: 108 2 x 2: 102	2 x 4: 118 2 x 2: 118 1 x 4: 125	131	2 x 4: 109 2 x 2: 110 1 x 4: 1154	AUL - 136 AUM - 146	97	147	124	2 x 4: 110 2 x 2: 110	4FT: 122 8FT: 122
INPUT WATTS (Range)	30-54	29-86	29-59	29 - 46	14-60	36 - 45	AUL - 29 - 88 AUM - 74 - 108	14 - 45	86 - 111	68 -392	27 - 84	60-121
CRI	≥80	≥80	≥80	≥80	≥80	≥80	AUL - ≥80 ; Cool White ≥ 70 AUM - ≥80	≥80	≥80	≥80	≥80	≥80
DIMMING	Yes	Yes	Yes	Yes	Yes	Yes	Yes	Yes	Yes	Yes	Yes	Yes
CONTROLS	Airlink™ Equiped	Consult Factory	Airlink™ Equiped	Airlink™ Equiped	Consult Factory	Consult Factory	Consult Factory	Consult Factory	Platinum/Gold Mounted in Fixture Occupancy Sensor	Platinum/Gold Using Circuit or Zone Controllers Occupancy Sensor Integral Motion Sensor (IMS)	AirLink™ Enabled	Platinum/Gold Using Circuit or Zone Controllers
DLC		No	No		No			No			No	
WARRANTY	5 Years ●●●	5 Years ●●●	5 Years ●●●	5 Years ●●●	5 Years ●●●	5 Years ●●●	5 Years ●●●	5 Years ●●●	5 Years ●●●	5 Years ●●●	5 Years ●●●	5 Years ●●●

For a list of the specific products in this series that are DLC listed, please consult the LED section of our website or the Design Lights website at [www.designlights.org](http://www.designlights.org).

## About LSI Industries, Inc.

LSI is a leading manufacturer and supplier of IMAGE-enhancing interior & exterior LED Lighting Fixtures, Lighting Controls, Poles/Brackets and Graphics. LSI utilizes its advanced technological capabilities to develop and sell energy-efficient, innovative products across commercial, industrial, banking, petroleum, quick serve restaurant, and automotive segments, to name a few. Operations span the globe, with concentrations in North America, Latin America and Australia. LSI is traded on NASDAQ under LYTS and can be visited online at <http://www.lsi-industries.com>

LIGHTING  
+GRAPHICS  
+TECHNOLOGY | IMAGE

LSI Graphic Solutions integrates lighting, graphics and technology to engage, guide and connect. Ask your LSI representative about custom architectural fixtures and fixtures with integrated signage & graphics.

